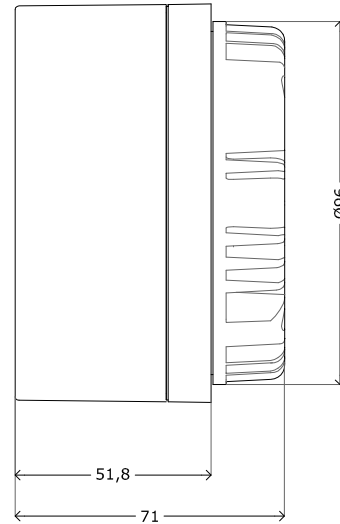
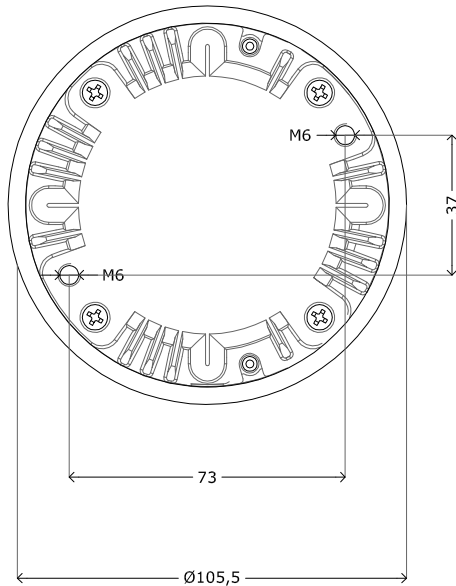




ISO 9001 CERTIFIED

TE740

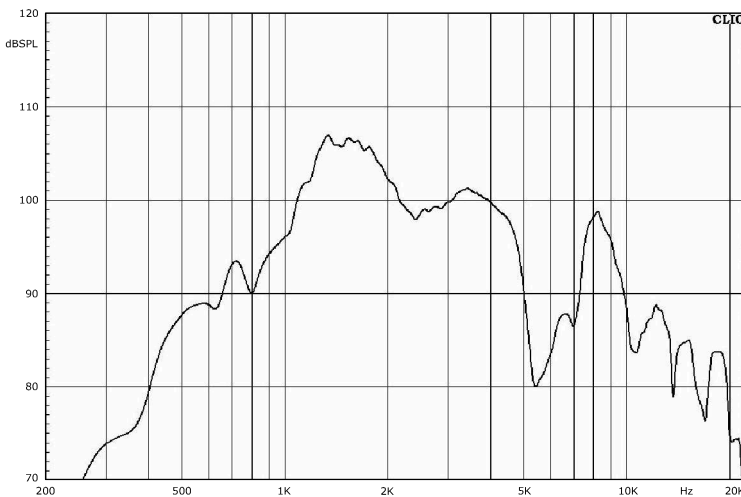
neodymium horn speaker



all data in mm
1:2

SOUND PRESSURE LEVELS - 1m/1W

sample tested: 8Ω



* usable power only for brief period, do not use this power as operating temperature.

sample tested at 23°C.

SPECIFICATIONS

IMPEDANCE	4-8-16Ω
PHC (Power Handling Capacity)	50W
PEAK Power*	70W
SPL/1m/1w	107dB (1350Hz)
FREQUENCY RANGE	550-5100Hz

DIAPHRAGM MATERIAL	PHENOLIC
VOICE COIL DIMENSION	Ø51,55mm
MAGNET MATERIAL	NEODYMIUM
MAGNET SIZE	Ø50x6mm
CASING MATERIAL	NYLON
COLOUR	BLACK
NET WEIGHT	825g
DIMENSIONS	Ø105,5x71mm
IP RATING	IP66

OPTIONS

CONNECTIONS	wires
MAGNET	-
MATERIAL/COLOUR	-

SHIPPING

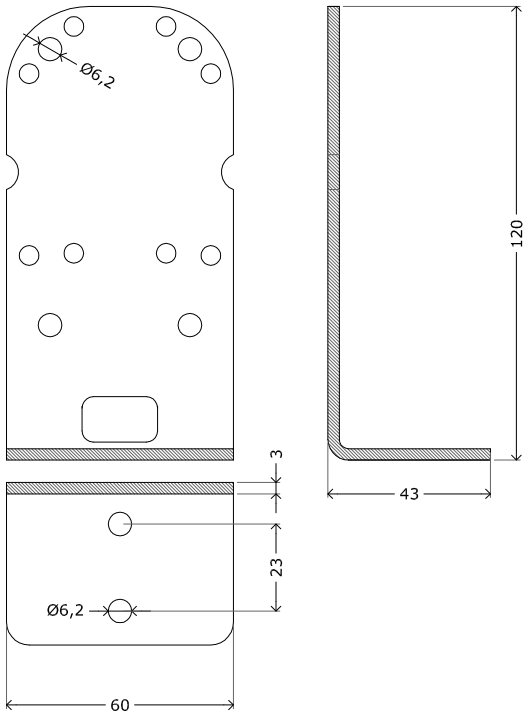
MASTER CARTON QUANTITY	18 pcs
PACKAGING	BOX 330x230x220mm



ISO 9001 CERTIFIED

TE740

accessories



	BRACKET L
MATERIAL	IRON
COLOUR	BLACK

all data in mm
1:2

SCREWS FOR BRACKET AVAILABLE.