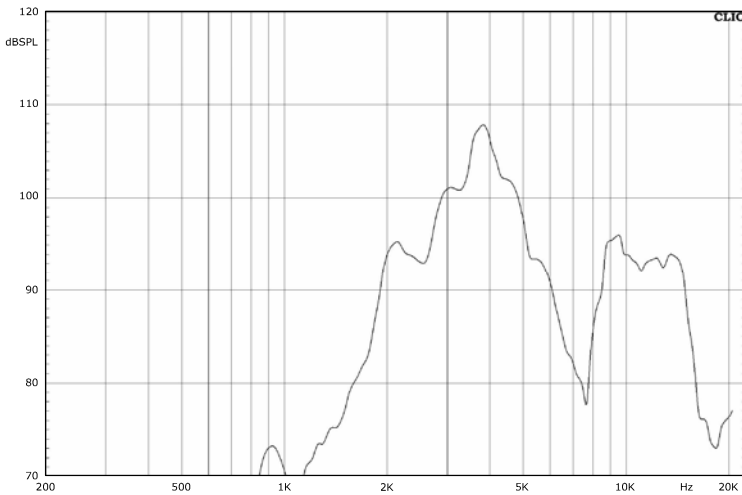


all data in mm
1:2

SOUND PRESSURE LEVELS - 60Vpp/1m



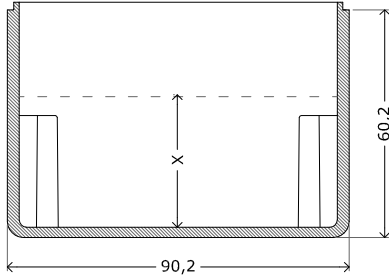
SPECIFICATIONS

PIEZO-CERAMIC IMPEDANCE	500Ω
MAX VOLTAGE	150Vpp
SPL/60Vpp/1m	105dB (3800Hz)
FREQUENCY RANGE	1900-6000Hz
OPERATING TEMP. RANGE*	-20°C +70°C
CASING MATERIAL	NYLON
COLOUR	BLACK
NET WEIGHT	65g
DIMENSIONS	79,2x90,2x49 mm
CONNECTIONS	lugs

SHIPPING

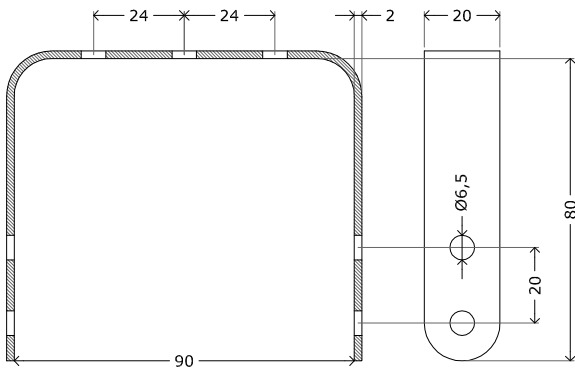
MASTER CARTON QUANTITY	80 pcs
PACKAGING	BOX 380x380x215 mm

*temperature range is dependent on the working condition of the piezoelectric ceramic.
sample tested at 23°C.



COVER 45	
DIMENSIONS	90,2x79,2x60,2mm
USABLE SPACE	34 mm
MATERIAL	NYLON
COLOUR	BLACK
OPTIONS*	-

*contact us for different configuration available



BRACKET 04	
MATERIAL	IRON
COLOUR	BLACK

all data in mm
1:2

ORING AND SCREWS FOR COVER AND BRACKET AVAILABLE