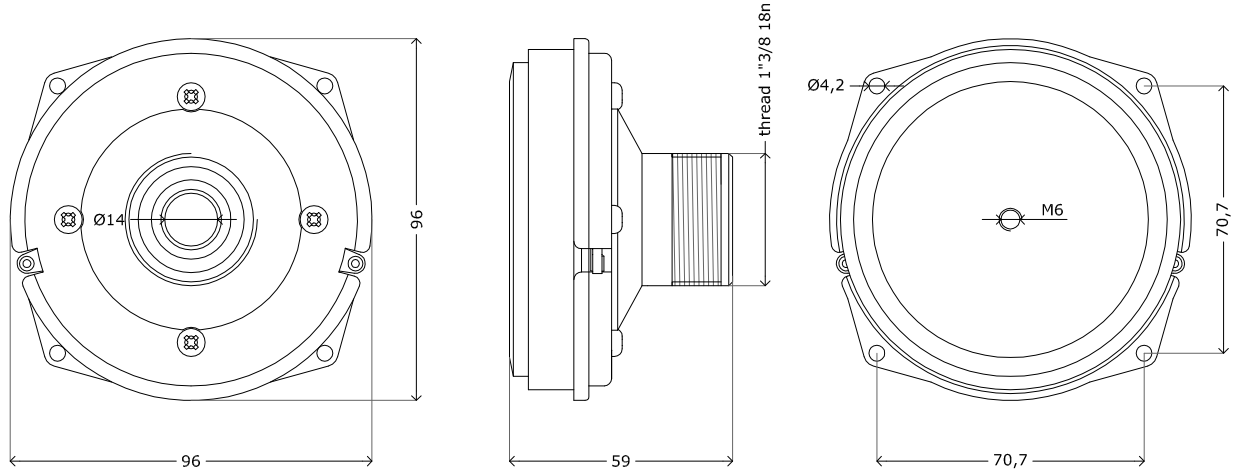




ISO 9001 CERTIFIED

TRM39F

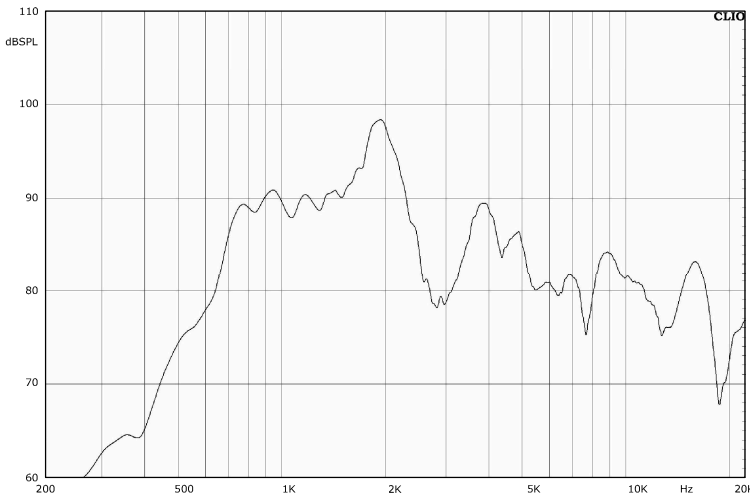
ferrite driver



all data in mm
1:2

SOUND PRESSURE LEVELS - 1m/1W

sample tested: 8Ω



SPECIFICATIONS

THROAT DIMENSION	Ø14mm
IMPEDANCE	4-8-16Ω
PHC (Power Handling Capacity)	25W
PEAK Power*	40W
RESONANCE FREQUENCY	800Hz

DIAPHRAGM MATERIAL	PHENOLIC
VOICE COIL DIMENSION	Ø38.63mm
MAGNET MATERIAL	FERRITE
MAGNET SIZE	Ø90x13mm
CASING MATERIAL	PC
NET WEIGHT	840g
DIMENSIONS	96x96x59mm
IP RATING	-

OPTIONS

CONNECTIONS	wires, eyelets
MAGNET	Ø90x10mm
MATERIAL/COLOUR	-

SHIPPING

MASTER CARTON QUANTITY	18 pcs
PACKAGING	BOX 300x300x150mm

* usable power only for brief period, do not use this power as operating temperature.

sample tested at 23°C.