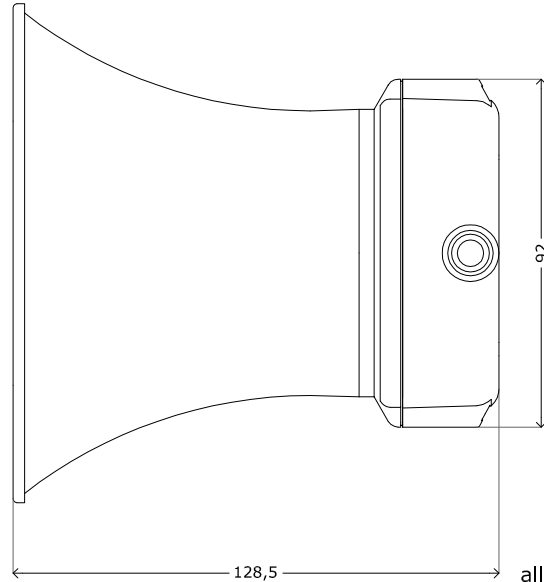
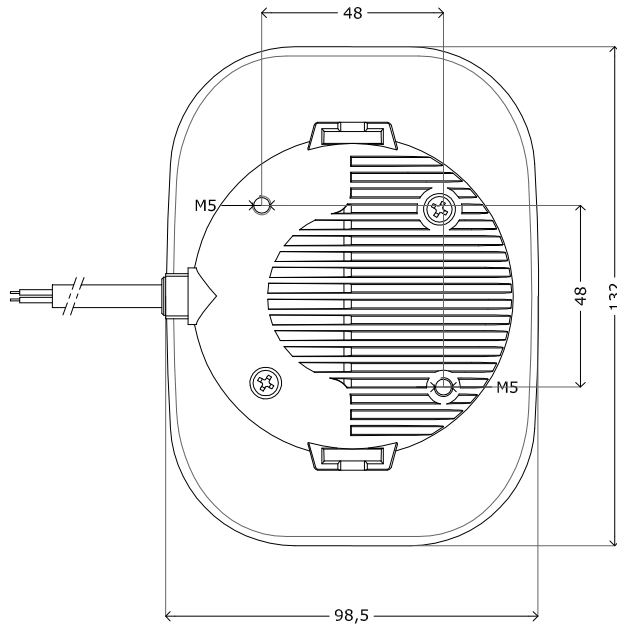




ISO 9001 CERTIFIED

TF810

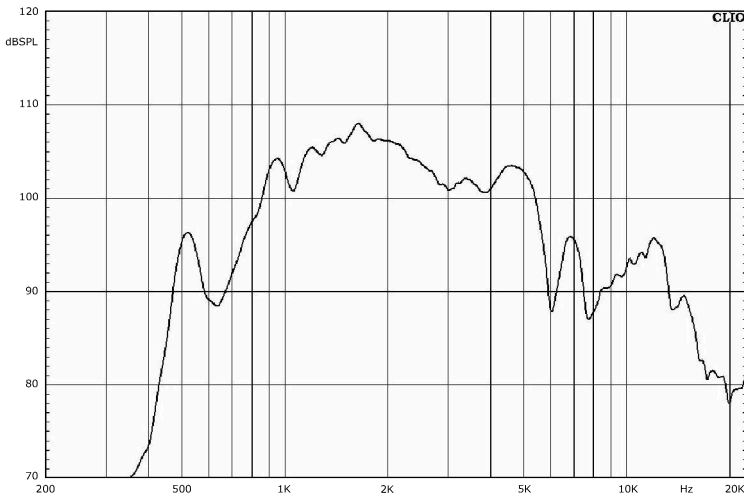
neodymium horn speaker



all data in mm
1:2

SOUND PRESSURE LEVELS - 1m/1W

sample tested: 8Ω



SPECIFICATIONS

IMPEDANCE	4-8-16Ω
PHC (Power Handling Capacity)	20W
PEAK Power*	30W
SPL/1m/1w	108dB (1600Hz)
FREQUENCY RANGE	500-5600Hz

DIAPHRAGM MATERIAL	PHENOLIC
VOICE COIL DIMENSION	Ø38.63mm
MAGNET MATERIAL	NEODYMIUM
MAGNET SIZE	Ø37x5mm
CASING MATERIAL	NYLON/Aluminum
COLOUR	BLACK
NET WEIGHT	615g
DIMENSIONS	132x98,5x128,5mm
IP RATING	IP66

OPTIONS

CONNECTIONS	multiple cable
MAGNET	-
MATERIAL/COLOUR	-

SHIPPING

MASTER CARTON QUANTITY	24 pcs
PACKAGING	BOX 405x395x280mm

* usable power only for brief period, do not use this power as operating temperature.

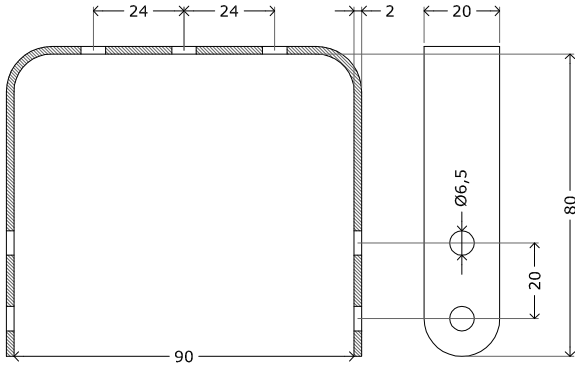
sample tested at 23°C.



ISO 9001 CERTIFIED

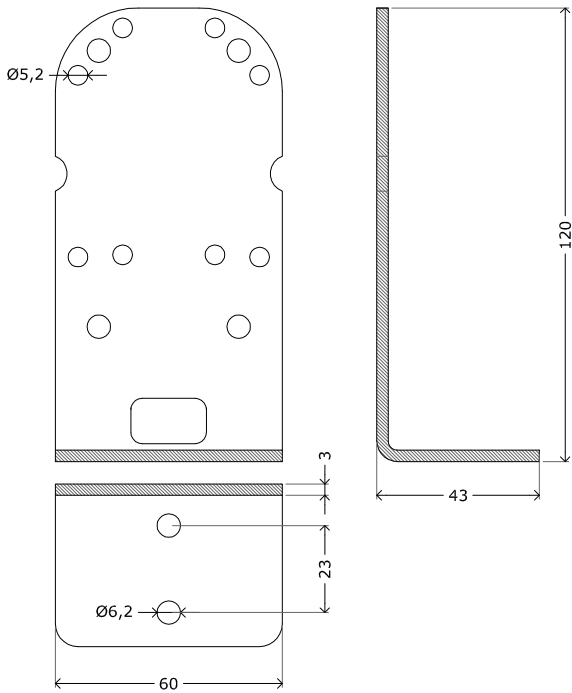
TF810

accessories



BRACKET 04

MATERIAL	IRON
COLOUR	BLACK



BRACKET L

MATERIAL	IRON
COLOUR	BLACK

all data in mm
1:2

SCREWS FOR BRACKET AVAILABLE.