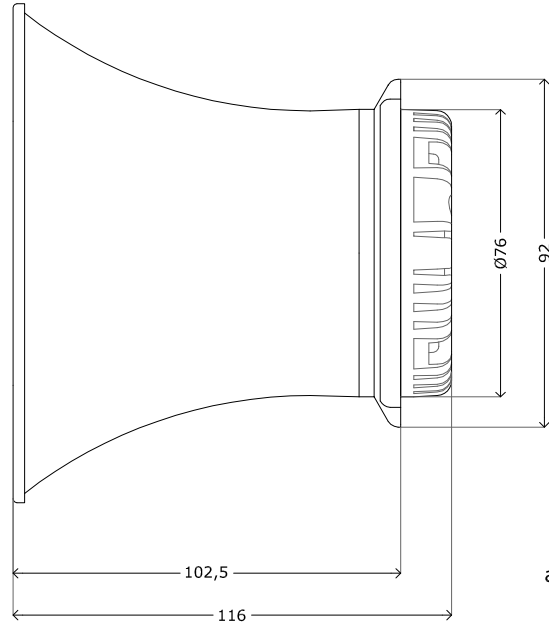
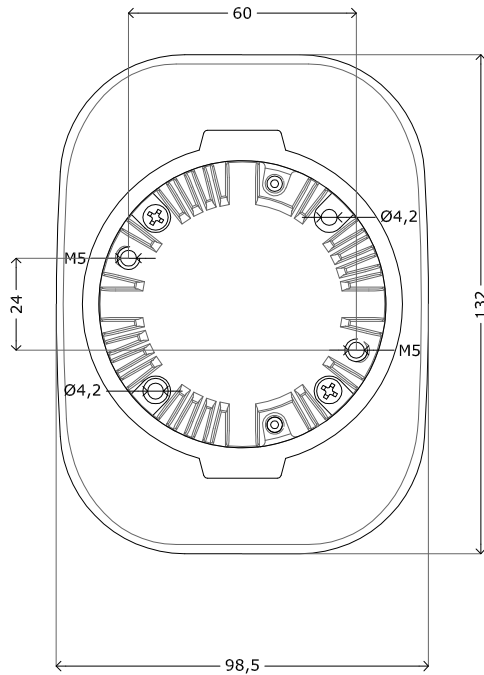




ISO 9001 CERTIFIED

# TE810

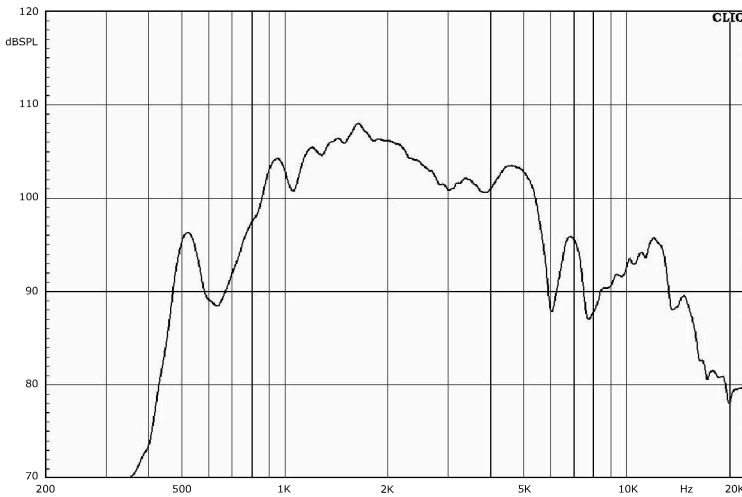
## neodymium horn speaker



all data in mm  
1:2

### SOUND PRESSURE LEVELS - 1m/1W

sample tested: 8Ω



### SPECIFICATIONS

IMPEDANCE	4-8-16Ω
PHC (Power Handling Capacity)	20W
PEAK Power*	30W
SPL/1m/1w	108dB (1600Hz)
FREQUENCY RANGE	500-5600Hz

DIAPHRAGM MATERIAL	PHENOLIC
VOICE COIL DIMENSION	Ø38.63mm
MAGNET MATERIAL	NEODYMIUM
MAGNET SIZE	Ø37x5mm
CASING MATERIAL	NYLON
COLOUR	BLACK
NET WEIGHT	470g
DIMENSIONS	132x98,5x116mm
IP RATING***	IP66

### OPTIONS

CONNECTIONS	wires - multiple cable
MAGNET	-
MATERIAL/COLOUR	WHITE

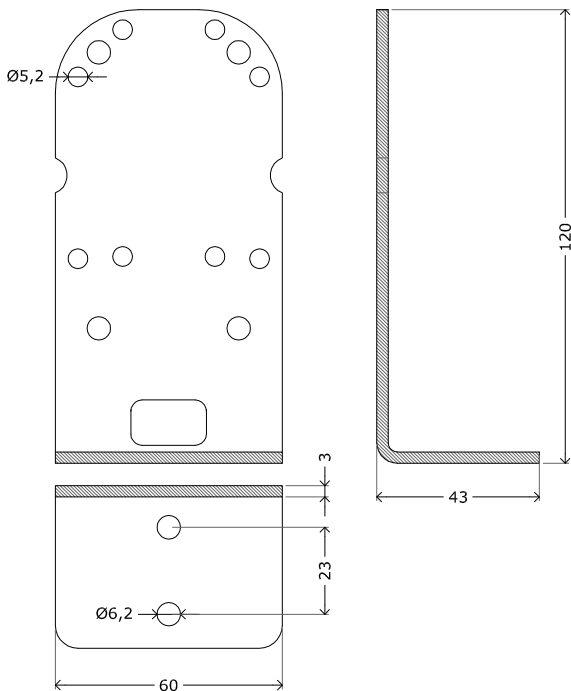
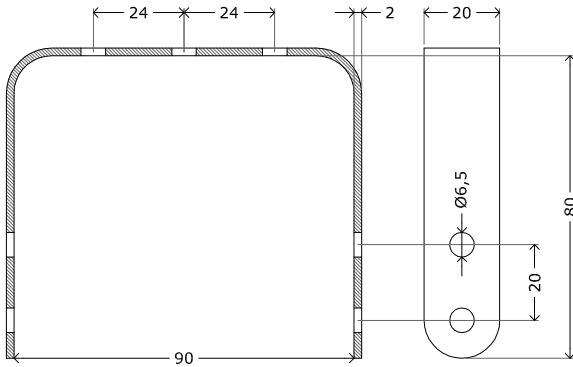
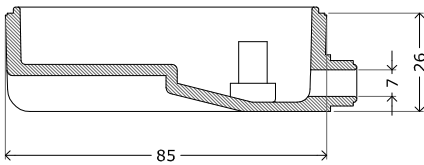
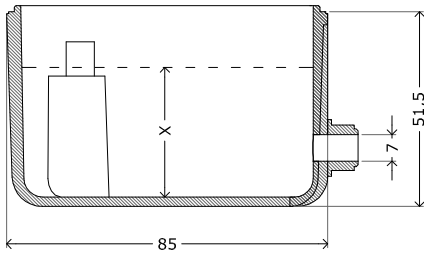
### SHIPPING

MASTER CARTON QUANTITY	24 pcs
PACKAGING	BOX 405x395x280mm

\* usable power only for brief period, do not use this power as operating temperature.

\*\*\* IP grade is guaranteed only in the fully assembled product with accessories.

sample tested at 23°C.



<b>COVER 810</b>	
DIMENSIONS	Ø85x51,5mm
USABLE SPACE	35mm
MATERIAL	nylon
COLOUR	BLACK/WHITE
OPTIONS	-

*the plastic cover limits the dissipation of heat increasing magnet temperature.*

<b>COVER 790/810 AL</b>	
DIMENSIONS	Ø85x26mm
MATERIAL	ALUMINUM
COLOUR	BLACK
OPTIONS	-

<b>BRACKET 04</b>	
MATERIAL	IRON
COLOUR	BLACK

<b>BRACKET L - only for AL cover</b>	
MATERIAL	IRON
COLOUR	BLACK

all data in mm  
1:2

ORING, SCREWS FOR COVER AND BRACKET AVAILABLE.  
CABLE GLANDS INCLUDED.