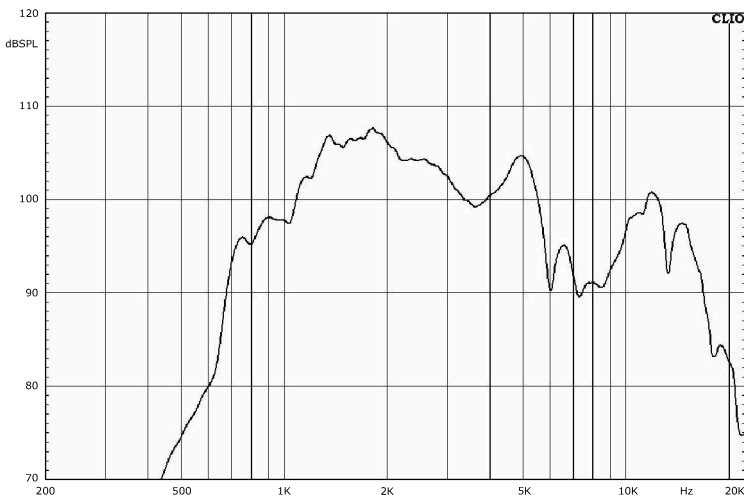


all data in mm
1:2

SOUND PRESSURE LEVELS - 1m/1W

sample tested: 8Ω



SPECIFICATIONS

IMPEDANCE	4-8-16Ω
PHC (Power Handling Capacity)	20W
PEAK Power*	30W
SPL/1m/1w	107,6dB (1800Hz)
FREQUENCY RANGE	800-5800Hz

DIAPHRAGM MATERIAL	PHENOLIC
VOICE COIL DIMENSION	Ø38.63mm
MAGNET MATERIAL	NEODYMIUM
MAGNET SIZE	Ø37x5mm
CASING MATERIAL	NYLON
COLOUR	BLACK
NET WEIGHT	410g
DIMENSIONS	113x96,2x72mm
IP RATING***	IP66

OPTIONS

CONNECTIONS	wires-multiple cable
MAGNET	-
MATERIAL/COLOUR	-

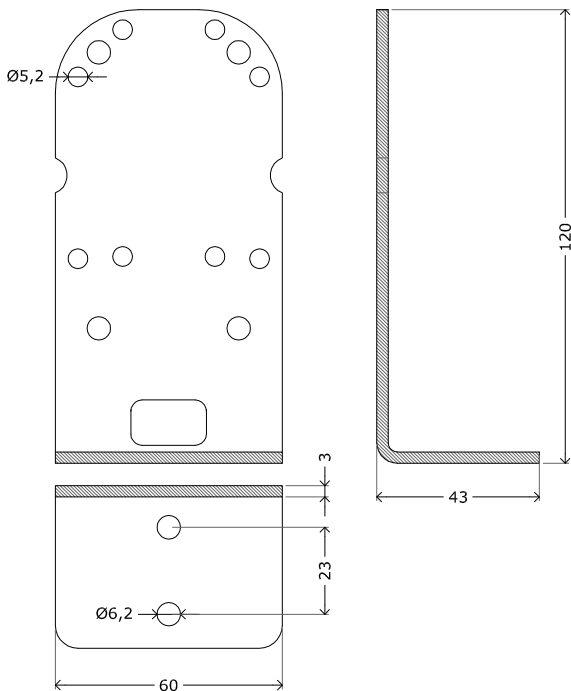
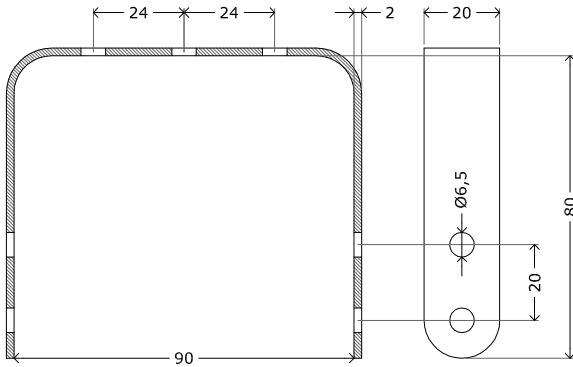
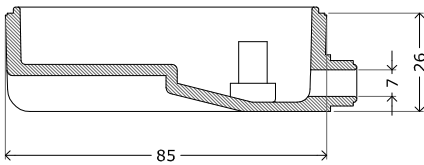
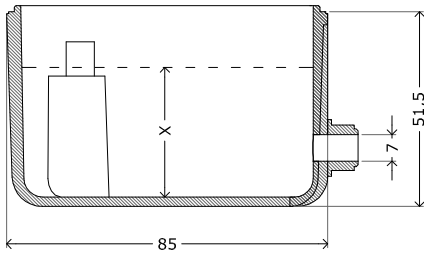
SHIPPING

MASTER CARTON QUANTITY	18 pcs
PACKAGING	BOX 330x230x220mm

* usable power only for brief period, do not use this power as operating temperature.

*** IP grade is guaranteed only in the fully assembled product with accessories.

sample tested at 23°C.



COVER 810	
DIMENSIONS	Ø85x51,5mm
USABLE SPACE	35mm
MATERIAL	nylon
COLOUR	BLACK
OPTIONS	-

the plastic cover limits the dissipation of heat increasing magnet temperature.

COVER 790/810 AL	
DIMENSIONS	Ø85x26mm
USABLE SPACE	-
MATERIAL	ALUMINUM
COLOUR	BLACK
OPTIONS	-

BRACKET 04	
MATERIAL	IRON
COLOUR	BLACK

BRACKET L - only for AL cover	
MATERIAL	IRON
COLOUR	BLACK

all data in mm
1:2

ORING, SCREWS FOR COVER AND BRACKET AVAILABLE.
CABLE GLANDS INCLUDED.