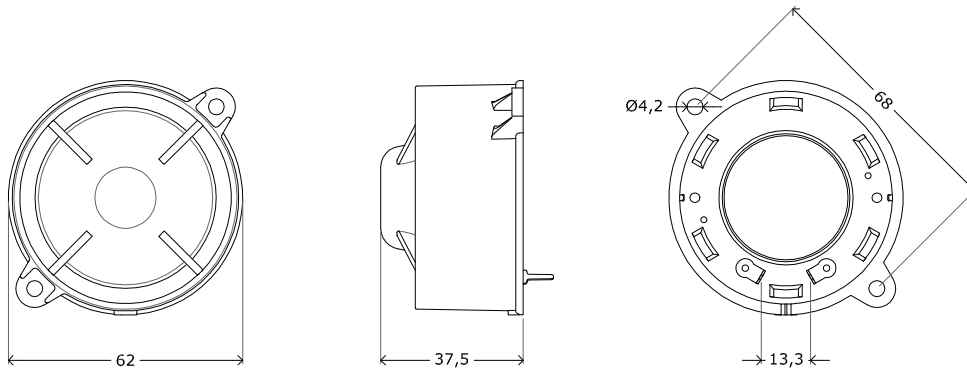




ISO 9001 CERTIFIED

CR049

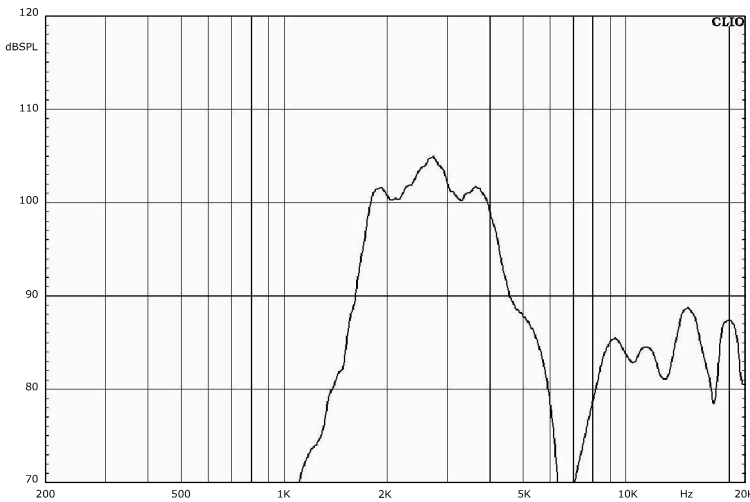
neodymium speaker



all data in mm
1:2

SOUND PRESSURE LEVELS - 1m/1W

sample tested: 8Ω



SPECIFICATIONS

IMPEDANCE	4-8-16Ω
PHC (Power Handling Capacity)	8W
PEAK Power*	12W
SPL/1m/1w	104,7dB (2800Hz)
FREQUENCY RANGE	1800-3800Hz

DIAPHRAGM MATERIAL	PHENOLIC
VOICE COIL DIMENSION	Ø25.4mm
MAGNET MATERIAL	NEODYMIUM
MAGNET SIZE	Ø24.5x3.5mm
CASING MATERIAL	NYLON
COLOUR	BLACK
NET WEIGHT	115g
DIMENSIONS	Ø62x37.5mm
IP RATING	-

OPTIONS

CONNECTIONS	lugs, wires, eyelets
MAGNET	-
MATERIAL/COLOUR	-

SHIPPING

MASTER CARTON QUANTITY	100 pcs
PACKAGING	BOX 305x305x170mm

* usable power only for brief period, do not use this power as operating temperature.

sample tested at 23°C.