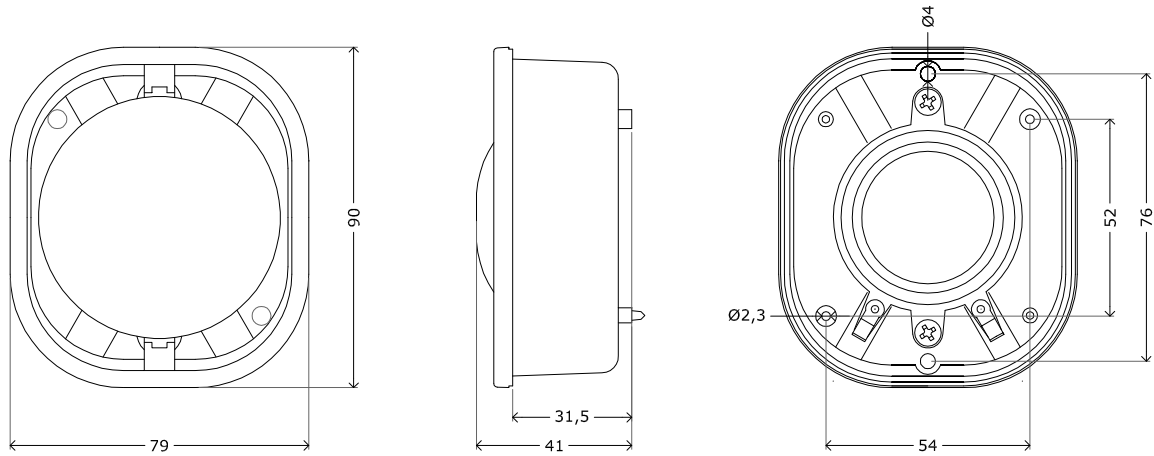




ISO 9001 CERTIFIED

CR045

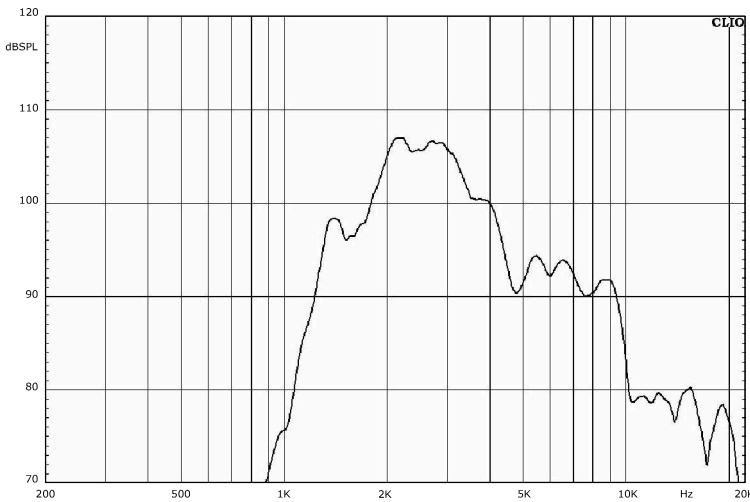
neodymium speaker



all data in mm
1:2

SOUND PRESSURE LEVELS - 1m/1W

sample tested: 8Ω



SPECIFICATIONS

IMPEDANCE	4-8-16Ω
PHC (Power Handling Capacity)	8W
PEAK Power*	12W
SPL/1m/1w	106dB (2100Hz)
FREQUENCY RANGE	1400-4000Hz

DIAPHRAGM MATERIAL	PHENOLIC
VOICE COIL DIMENSION	Ø25.4mm
MAGNET MATERIAL	NEODYMIUM
MAGNET SIZE	Ø24.5x3.5mm
CASING MATERIAL	NYLON
COLOUR	BLACK
NET WEIGHT	145g
DIMENSIONS	79x90x41mm
IP RATING***	IP56

OPTIONS

CONNECTIONS	lugs, eyelets
MAGNET	-
MATERIAL/COLOUR	-

SHIPPING

MASTER CARTON QUANTITY	60 pcs
PACKAGING	BOX 380x250x180mm

* usable power only for brief period, do not use this power as operating temperature.

*** IP grade is guaranteed only in the fully assembly product with accessories.

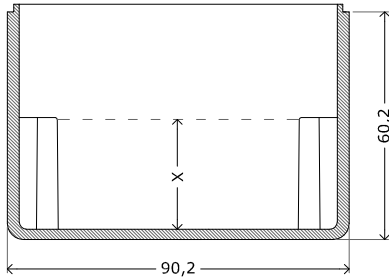
sample tested at 23°C.



ISO 9001 CERTIFIED

CR045

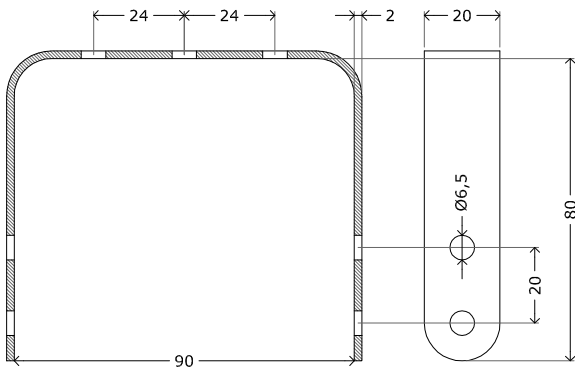
accessories



COVER 45	
DIMENSIONS	90,2x79,2x60,2mm
USABLE SPACE	29mm
MATERIAL	NYLON
COLOUR	BLACK
OPTIONS*	cable holes, connectors

*contact us for different configuration available

the plastic back cover limits the dissipation of heat increasing magnet temperature.



BRACKET 04	
MATERIAL	IRON
COLOUR	BLACK

O-RING, SCREWS FOR COVER AND BRACKET AVAILABLE

all data in mm
1:2

O-RING, SCREWS FOR COVER AND BRACKET AVAILABLE