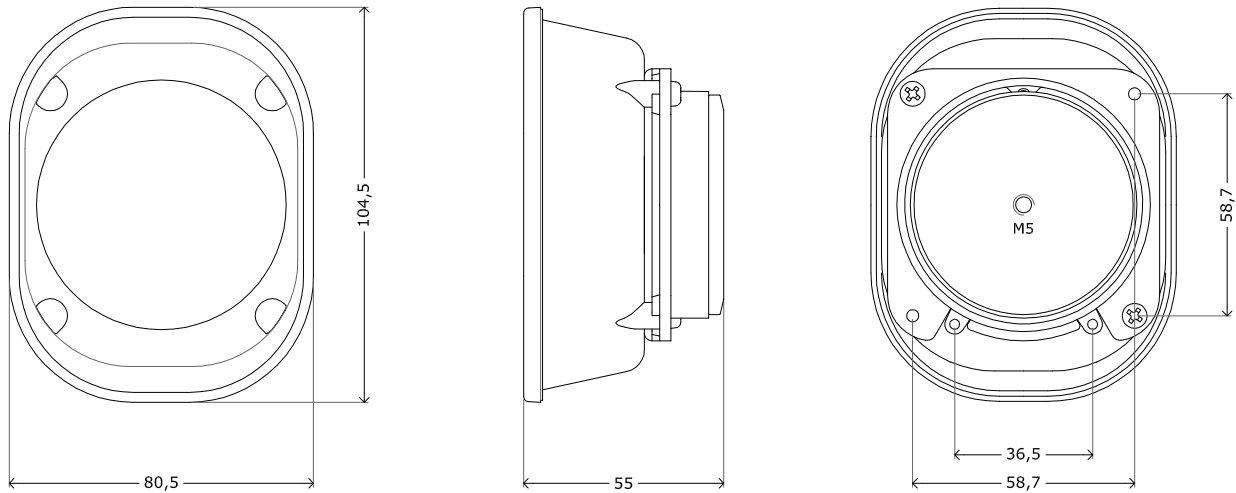




ISO 9001 CERTIFIED

CR041

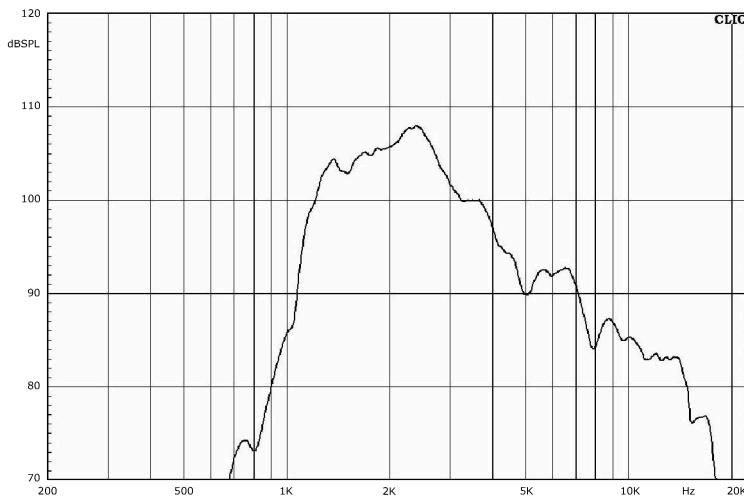
ferrite speaker



all data in mm
1:2

SOUND PRESSURE LEVELS - 1m/1W

sample tested: 8Ω



SPECIFICATIONS

IMPEDANCE	4-8-16Ω
PHC (Power Handling Capacity)	12W
PEAK Power*	16W
SPL/1m/1w	108dB (2400Hz)
FREQUENCY RANGE	1250-3000Hz

DIAPHRAGM MATERIAL	PHENOLIC
VOICE COIL DIMENSION	Ø25.4mm
MAGNET MATERIAL	FERRITE
MAGNET SIZE	Ø70x10mm
CASING MATERIAL	ABS
COLOUR	BLACK
NET WEIGHT	465g
DIMENSIONS	80.5x104.5x55mm
IP RATING	-

OPTIONS

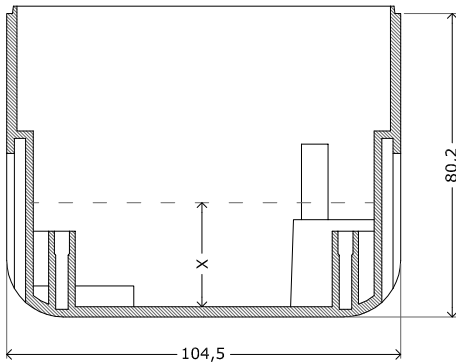
CONNECTIONS	wires, eyelets, lugs
MAGNET	Ø63x10mm
MATERIAL/COLOUR	other colours on request

SHIPPING

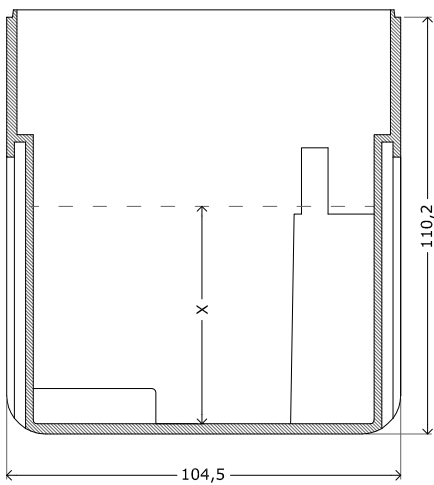
MASTER CARTON QUANTITY	36 pcs
PACKAGING	BOX 380x250x180mm

* usable power only for brief period, do not use this power as operating temperature.

sample tested at 23°C.



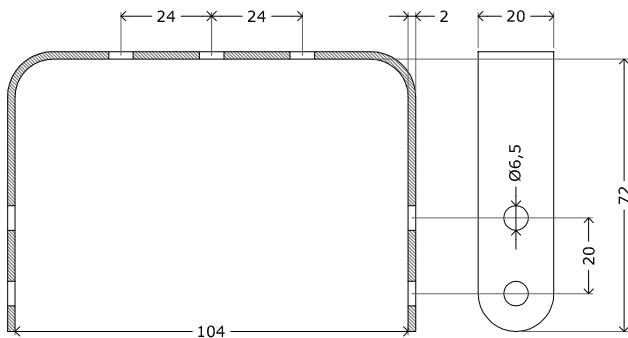
COVER 21	
DIMENSIONS	104,5x80,5x80,2mm
USABLE SPACE	27mm
MATERIAL	ABS
COLOUR*	BLACK
OPTIONS*	cable holes



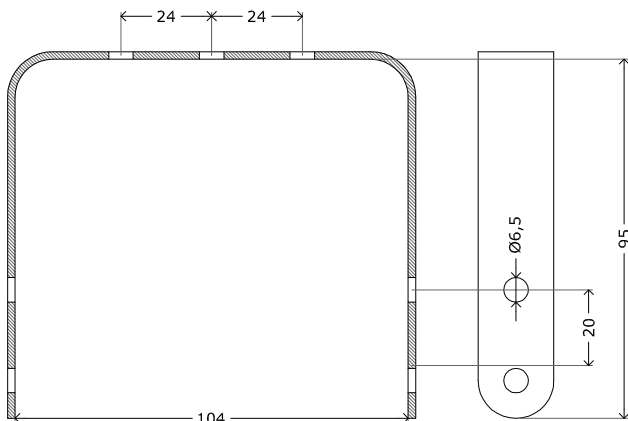
COVER 22	
DIMENSIONS	104,5x80,5x110,2mm
USABLE SPACE	57mm
MATERIAL	ABS
COLOUR*	BLACK
OPTIONS*	cable holes

*contact us for different configuration available

the plastic back cover limits the dissipation of heat increasing magnet temperature.



BRACKET 03	
MATERIAL	ZINC IRON
COLOUR	-



BRACKET 01	
MATERIAL	ZINC IRON
COLOUR	-

all data in mm
1:2

SCREWS FOR COVER AND BRACKET AVAILABLE