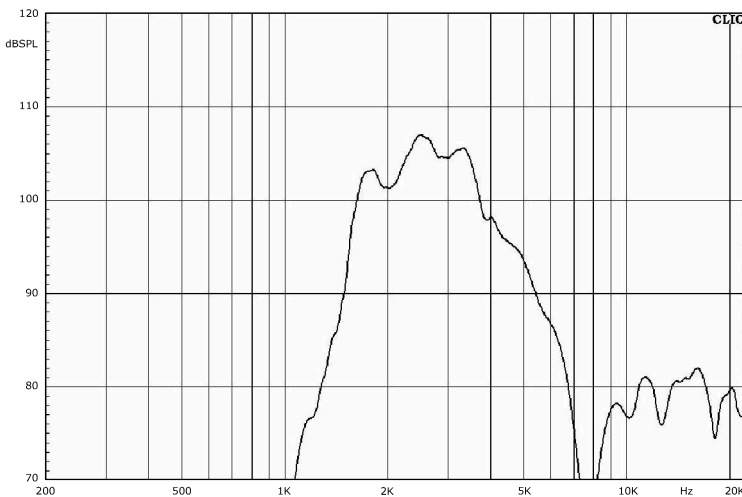


all data in mm
1:2

SOUND PRESSURE LEVELS - 1m/1W

sample tested: 8Ω



SPECIFICATIONS

IMPEDANCE	4-8-16Ω
PHC (Power Handling Capacity)	8W
PEAK Power*	12W
SPL/1m/1w	107dB (2500Hz)
FREQUENCY RANGE	1700-3600Hz

DIAPHRAGM MATERIAL	PHENOLIC
VOICE COIL DIMENSION	Ø25.4mm
MAGNET MATERIAL	FERRITE
MAGNET SIZE	Ø60x7mm
CASING MATERIAL	NYLON
COLOUR	BLACK
NET WEIGHT	290g
DIMENSIONS	79.2x90.2x49mm
IP RATING***	IP66

OPTIONS

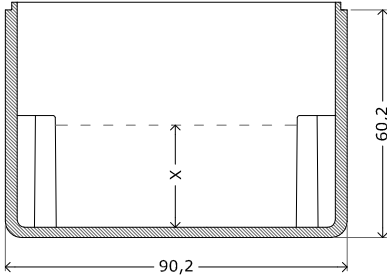
CONNECTIONS	wires, eyelets, lugs
MAGNET	-
MATERIAL/COLOUR	-

SHIPPING

MASTER CARTON QUANTITY	36 pcs
PACKAGING	BOX 380x250x180mm

* usable power only for brief period, do not use this power as operating temperature.
*** IP grade is guaranteed only in the fully assembly product with accessories.

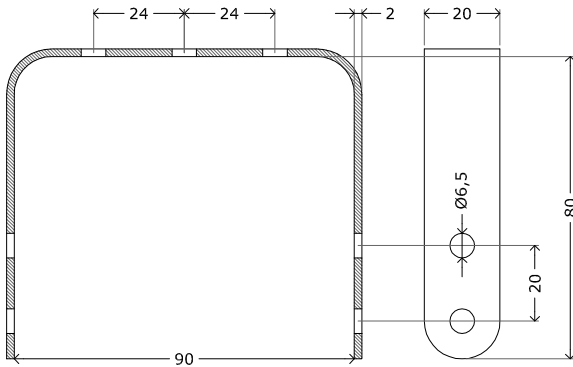
sample tested at 23°C.



COVER 45	
DIMENSIONS	90,2x79,2x60,2mm
	29mm
MATERIAL	NYLON
COLOUR	BLACK
OPTIONS*	cable holes, connectors

*contact us for different configuration available

the plastic back cover limits the dissipation of heat increasing magnet temperature.



BRACKET 04	
MATERIAL	IRON
COLOUR	BLACK

all data in mm
1:2

O-RING, SCREWS FOR COVER AND BRACKET AVAILABLE