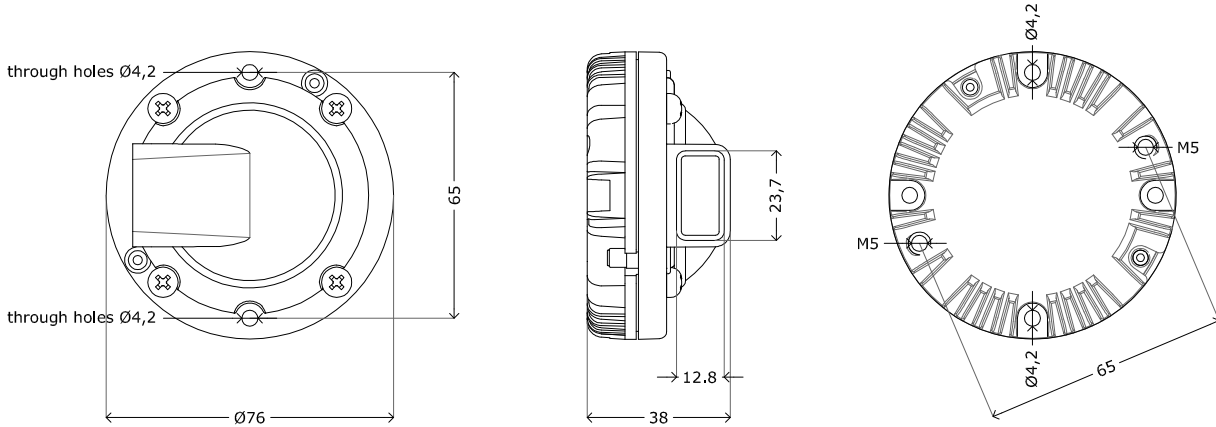




ISO 9001 CERTIFIED

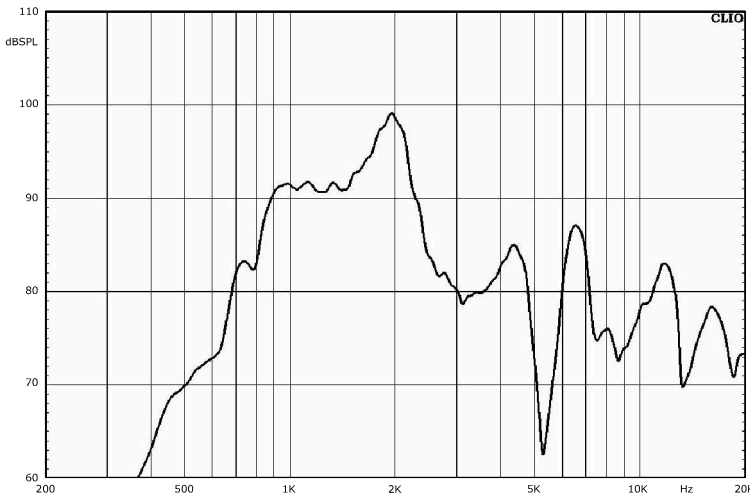
# TRN39G neodymium driver



all data in mm  
1:2

### SOUND PRESSURE LEVELS - 1m/1W

sample tested: 8Ω



### SPECIFICATIONS

THROAT DIMENSION	10x21mm
IMPEDANCE	4-8-16Ω
PHC (Power Handling Capacity)	20W
PEAK Power*	30W
RESONANCE FREQUENCY	970Hz

DIAPHRAGM MATERIAL	PHENOLIC
VOICE COIL DIMENSION	Ø38.63mm
MAGNET MATERIAL	NEODYMIUM
MAGNET SIZE	Ø37x5mm
CASING MATERIAL	PC/ALUMINIUM
NET WEIGHT	326g
DIMENSIONS	Ø76x38mm
IP RATING	IP 66

### OPTIONS

CONNECTIONS	wires, eyelets
MAGNET	-
MATERIAL/COLOUR	-

### SHIPPING

MASTER CARTON QUANTITY	36 pcs
PACKAGING	box 310x240x160mm

\* usable power only for brief period, do not use this power as operating temperature.

sample tested at 23°C.