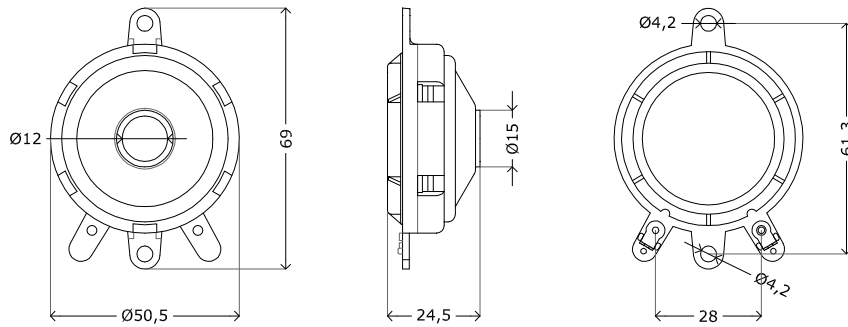




ISO 9001 CERTIFIED

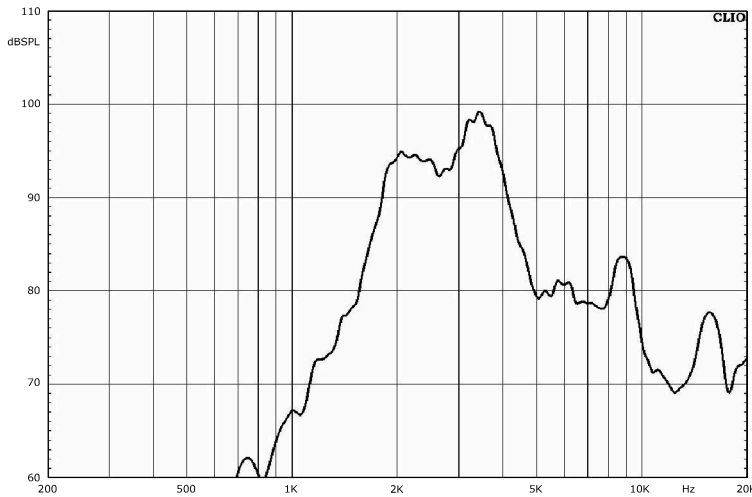
TRN030 neodymium driver



all data in mm
1:2

SOUND PRESSURE LEVELS - 1m/1W

sample tested: 8Ω



SPECIFICATIONS

| | |
|-------------------------------|---------|
| THROAT DIMENSION | Ø12mm |
| IMPEDANCE | 4-8-16Ω |
| PHC (Power Handling Capacity) | 8W |
| PEAK Power* | 12W |
| RESONANCE FREQUENCY | 2045Hz |

| | |
|----------------------|-----------------|
| DIAPHRAGM MATERIAL | PHENOLIC |
| VOICE COIL DIMENSION | Ø25.4mm |
| MAGNET MATERIAL | NEODYMIUM |
| MAGNET SIZE | Ø24.5x3.5mm |
| CASING MATERIAL | NYLON |
| NET WEIGHT | 95g |
| DIMENSIONS | Ø50.5x69x24.5mm |
| IP RATING | - |

OPTIONS

| | |
|-----------------|----------------------|
| CONNECTIONS | wires, eyelets, lugs |
| MAGNET | - |
| MATERIAL/COLOUR | - |

SHIPPING

| | |
|------------------------|-------------------|
| MASTER CARTON QUANTITY | 150pcs |
| PACKAGING | box 305x305x170mm |

* usable power only for brief period, do not use this power as operating temperature.

sample tested at 23°C.