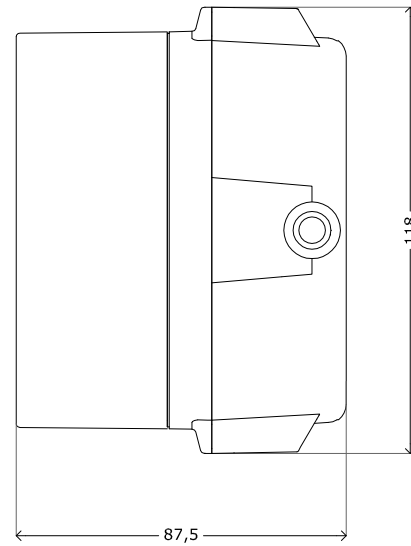
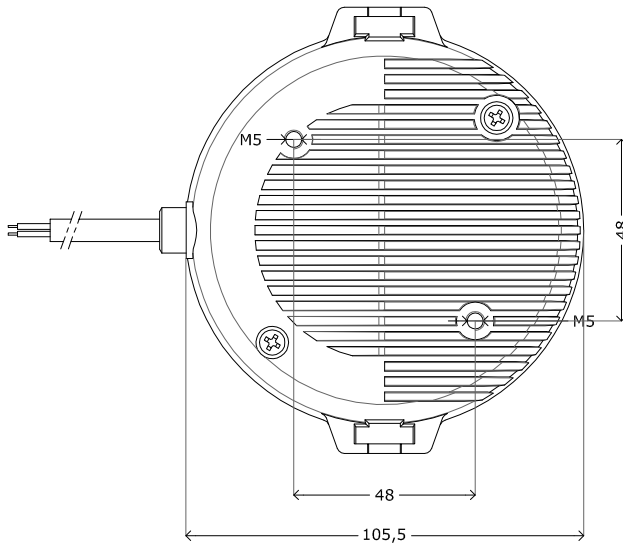




ISO 9001 CERTIFIED

TF750

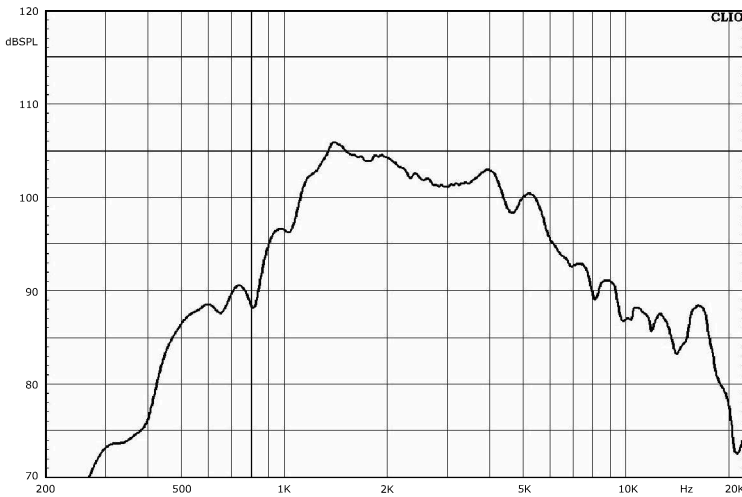
neodymium horn speaker



all data in mm
1:2

SOUND PRESSURE LEVELS - 1m/1W

sample tested: 8Ω



SPECIFICATIONS

IMPEDANCE	4-8-16Ω
PHC (Power Handling Capacity)	50W
PEAK Power*	70W
SPL/1m/1w	105,5dB (1400Hz)
FREQUENCY RANGE	580-8000Hz

DIAPHRAGM MATERIAL	PHENOLIC
VOICE COIL DIMENSION	Ø51,55mm
MAGNET MATERIAL	NEODYMIUM
MAGNET SIZE	Ø50x6mm
CASING MATERIAL	NYLON/Aluminum
COLOUR	BLACK
NET WEIGHT	1060g
DIMENSIONS	105,5x118x87,5mm
IP RATING	IP66

OPTIONS

CONNECTIONS	multiple cable
MAGNET	-
MATERIAL/COLOUR	-

SHIPPING

MASTER CARTON QUANTITY	12 pcs
PACKAGING	BOX 330x250x180mm

* usable power only for brief period, do not use this power as operating temperature.

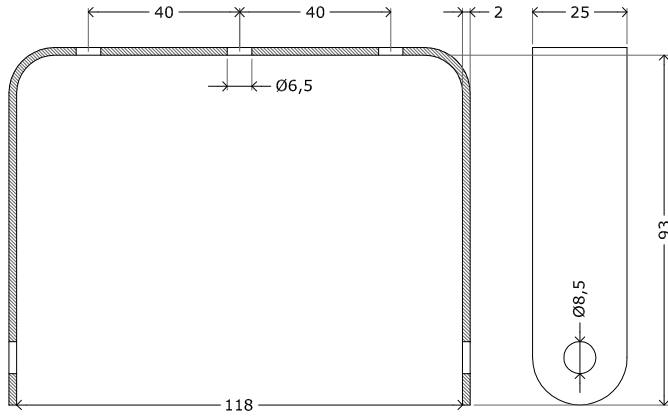
sample tested at 23°C.



ISO 9001 CERTIFIED

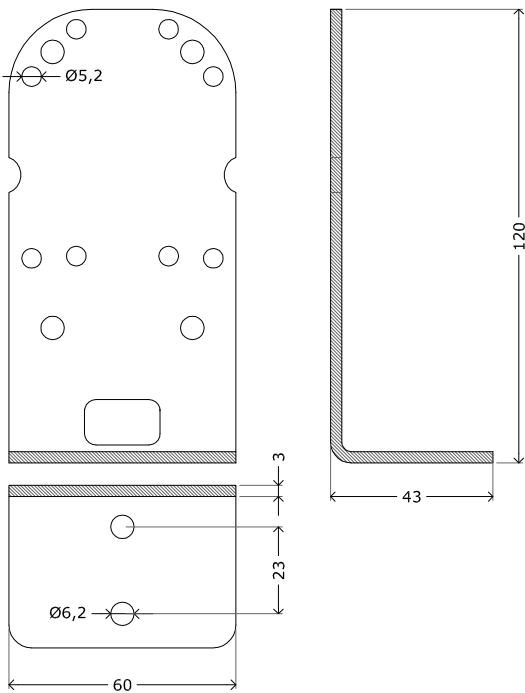
TF750

accessories



BRACKET 09

MATERIAL	ZINC IRON
COLOUR	-



BRACKET L

MATERIAL	IRON
COLOUR	BLACK

all data in mm
1:2

SCREWS FOR BRACKET AVAILABLE.