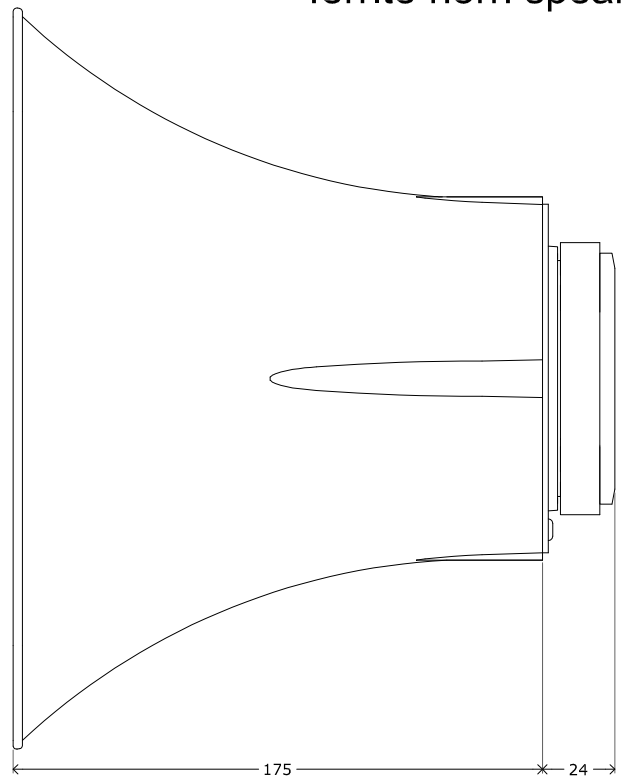
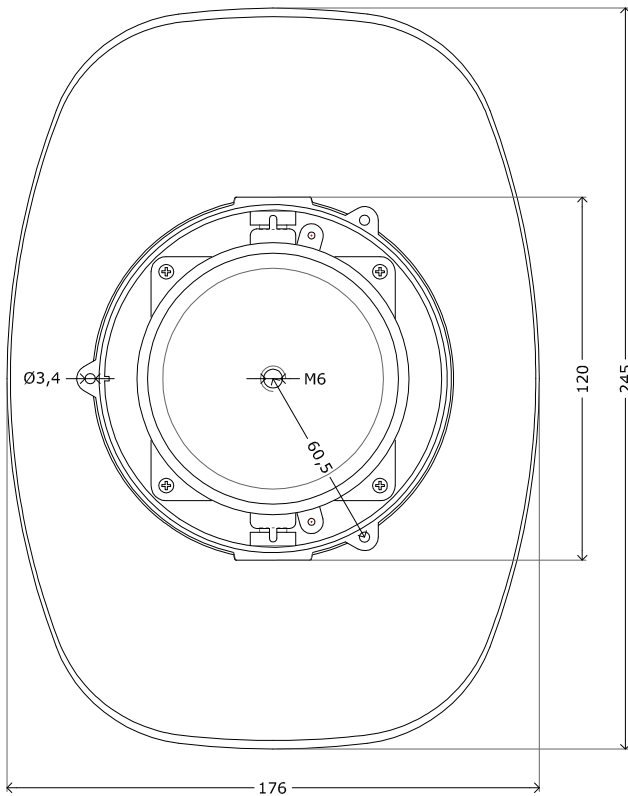




ISO 9001 CERTIFIED

TE900

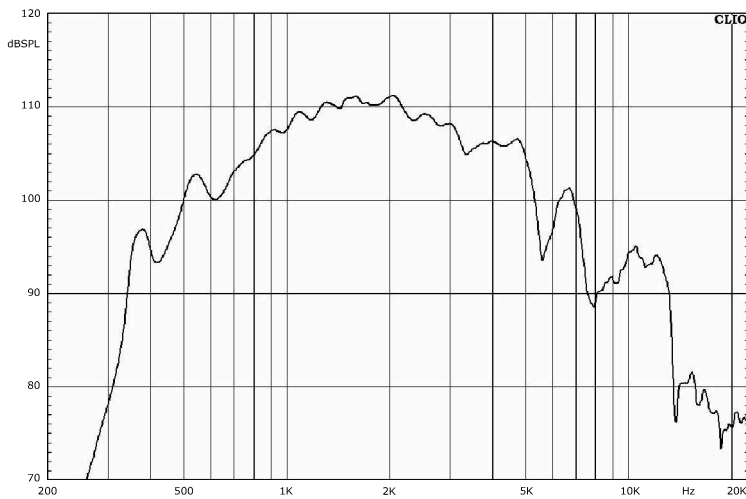
ferrite horn speaker



all data in mm

SOUND PRESSURE LEVELS - 1m/1W

sample tested: 8Ω



SPECIFICATIONS

| | |
|-------------------------------|-----------------------|
| IMPEDANCE | 4-8-16Ω |
| PHC (Power Handling Capacity) | 25W |
| PEAK Power* | 40W |
| SPL/1m/1w | 110,8dB (1500-2000Hz) |
| FREQUENCY RANGE | 350-5400Hz |

| | |
|----------------------|-----------------------|
| DIAPHRAGM MATERIAL | PHENOLIC |
| VOICE COIL DIMENSION | Ø38.63mm |
| MAGNET MATERIAL | FERRITE |
| MAGNET SIZE | Ø90x13mm |
| CASING MATERIAL | SELF-EXTING. ABS UL94 |
| COLOUR | GREY RAL7035 |
| NET WEIGHT | 1256g |
| DIMENSIONS | 245x176x199mm |
| IP RATING*** | IP66 |

OPTIONS

| | |
|-----------------|----------------|
| CONNECTIONS | wires, eyelets |
| MAGNET | Ø90x10mm |
| MATERIAL/COLOUR | - |

SHIPPING

| | |
|------------------------|-------------------|
| MASTER CARTON QUANTITY | 4pcs |
| PACKAGING | BOX 380x380x215mm |

* usable power only for brief period, do not use this power as operating temperature.
*** IP grade is guaranteed only in the fully assembled product with accessories.

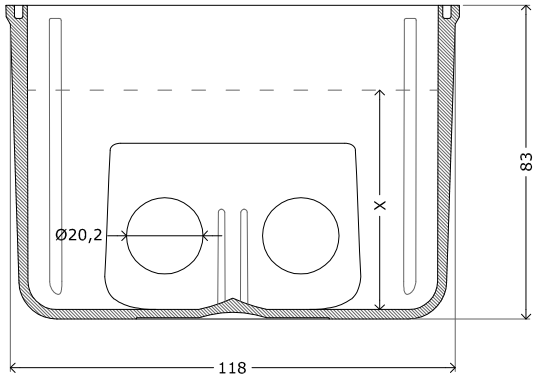
sample tested at 23°C.



ISO 9001 CERTIFIED

TE900

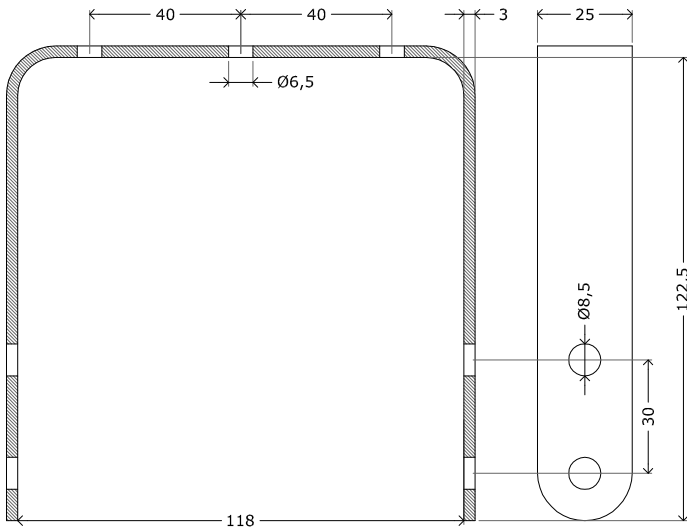
accessories



| | |
|--------------|-----------------------|
| | COVER 900 |
| DIMENSIONS | Ø118mm |
| USABLE SPACE | 55mm |
| MATERIAL | SELF-EXTING. ABS UL94 |
| COLOUR | GREY RAL7035 |
| OPTIONS* | cablE holes |

*contact us for different configurations available

the plastic cover limits the dissipation of heat increasing magnet temperature.



| | |
|----------|-------------------|
| | BRACKET 07 |
| MATERIAL | ZINC IRON |
| COLOUR | - |

all data in mm
1:2

ORING, SCREWS FOR COVER AND BRACKET AVAILABLE.
CABLE GLANDS NOT INCLUDED.