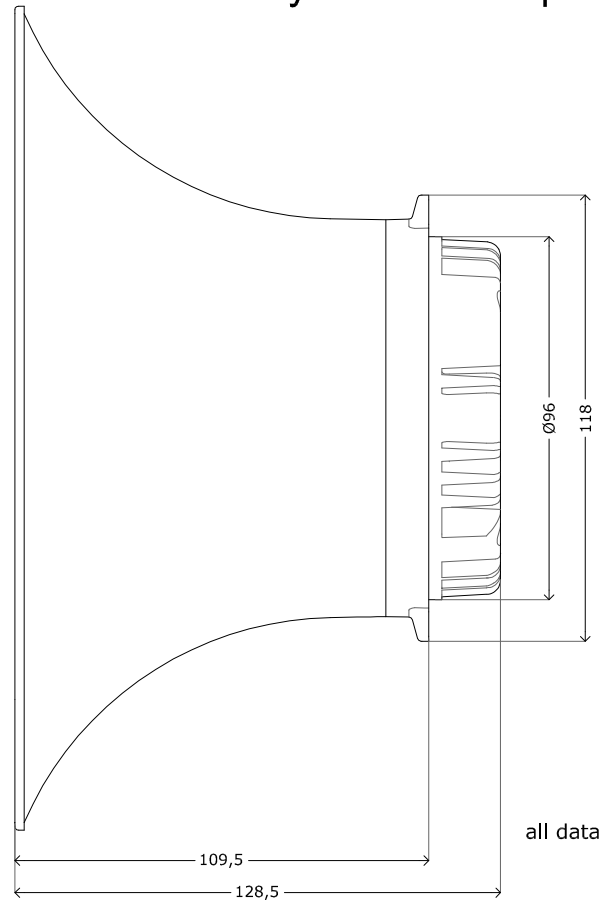
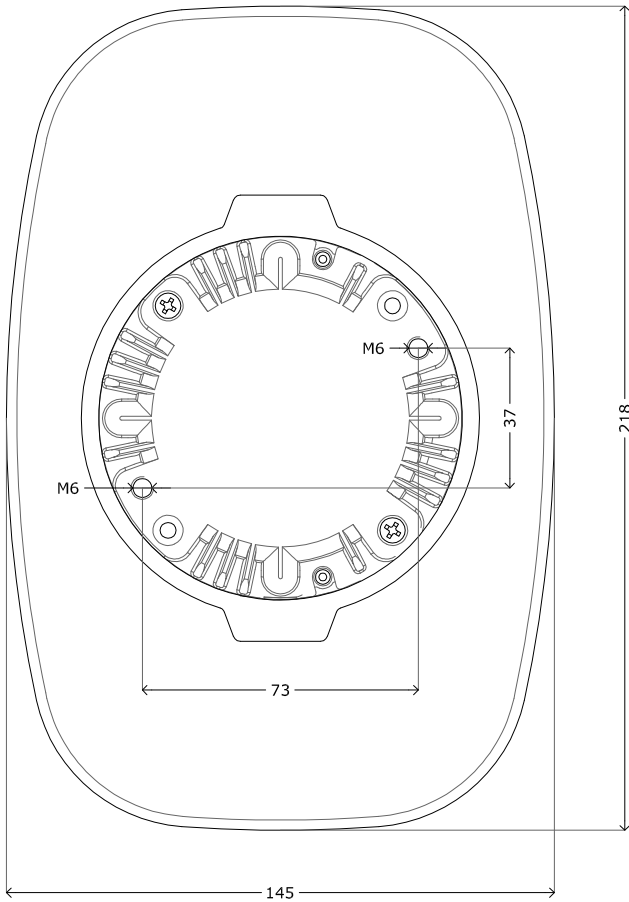




ISO 9001 CERTIFIED

TE850

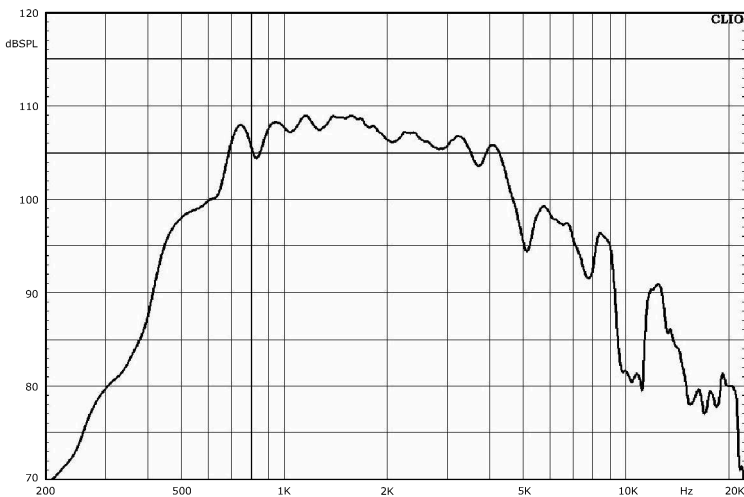
neodymium horn speaker



all data in mm
1:2

SOUND PRESSURE LEVELS - 1m/1W

sample tested: 8Ω



SPECIFICATIONS

IMPEDANCE	4-8-16Ω
PHC (Power Handling Capacity)	50W
PEAK Power*	70W
SPL/1m/1w	109dB (1150Hz)
FREQUENCY RANGE	480-7000Hz

DIAPHRAGM MATERIAL	PHENOLIC
VOICE COIL DIMENSION	Ø51,55mm
MAGNET MATERIAL	NEODYMIUM
MAGNET SIZE	Ø50x6mm
CASING MATERIAL	PC
COLOUR	BLACK
NET WEIGHT	930g
DIMENSIONS	145x218x128,5mm
IP RATING***	IP66

OPTIONS

CONNECTIONS	wires-multiple cable
MAGNET	-
MATERIAL/COLOUR	-

SHIPPING

MASTER CARTON QUANTITY	2 pcs
PACKAGING	BOX 310x240x160mm

* usable power only for brief period, do not use this power as operating temperature.
*** IP grade is guaranteed only in the fully assembled product with accessories.

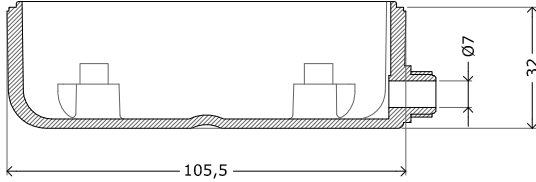
sample tested at 23°C.



ISO 9001 CERTIFIED

TE850

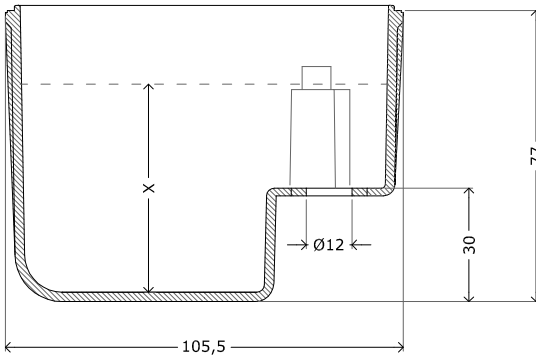
accessories



COVER 850 bassa	
DIMENSIONS	Ø105,5x32mm
USABLE SPACE	-
MATERIAL	PC
COLOUR	BLACK
OPTIONS*	-

*the plastic cover limits the dissipation of heat increasing magnet temperature.
30W PHC suggested with plastic cover.*

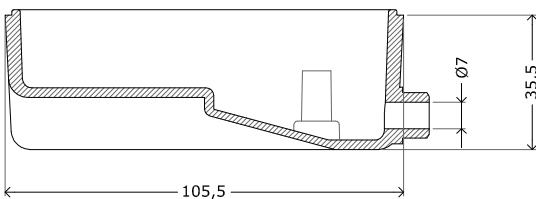
** contact us for different configurations available*



COVER 750-850 alta	
DIMENSIONS	Ø105,5x77mm
USABLE SPACE	55mm
MATERIAL*	NYLON
COLOUR	BLACK
OPTIONS*	hole Ø12mm-16mm-20mm

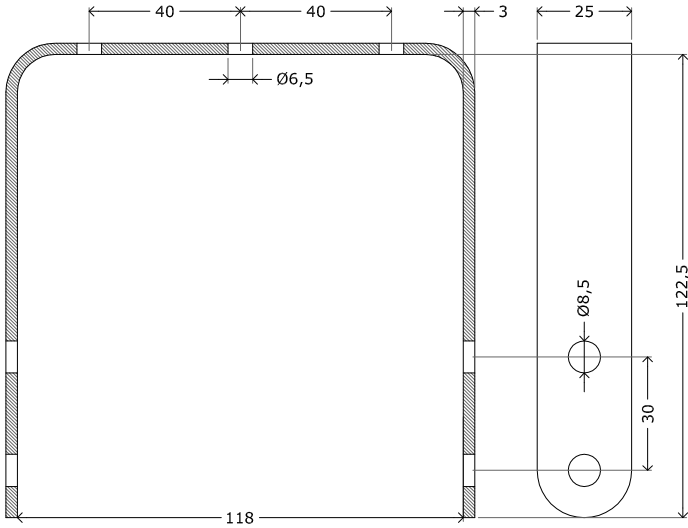
*the plastic cover limits the dissipation of heat increasing magnet temperature.
30W PHC suggested with plastic cover.*

** contact us for different configurations available*

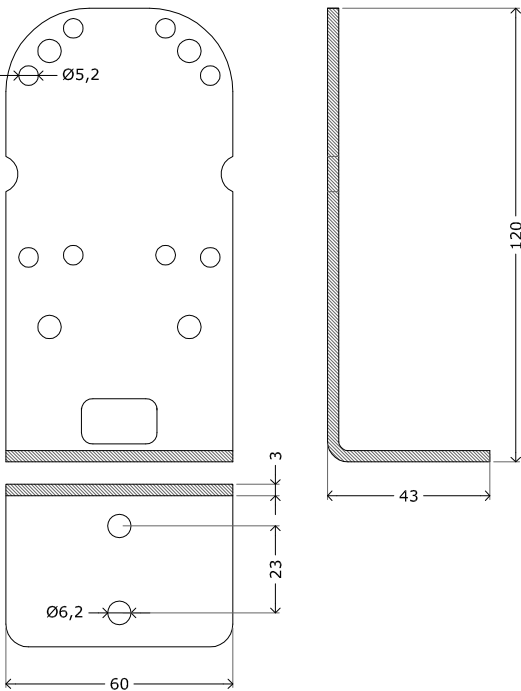


COVER 750 AL	
DIMENSIONS	Ø105,5x35,5mm
USABLE SPACE	-
MATERIAL	ALUMINUM
COLOUR	BLACK
OPTIONS	-

all data in mm 1:2 ORING, SCREWS FOR COVER AND BRACKET AVAILABLE.
CABLE GLANDS INCLUDED FOR COVER 850 bassa AND COVER 750 AL



	BRACKET 07
MATERIAL	ZINC IRON
COLOUR	-



	BRACKET L - <i>only for AL cover</i>
MATERIAL	IRON
COLOUR	BLACK

all data in mm 1:2 ORING, SCREWS FOR COVER AND BRACKET AVAILABLE.
CABLE GLANDS INCLUDED FOR COVER 850 bassa AND COVER 750 AL