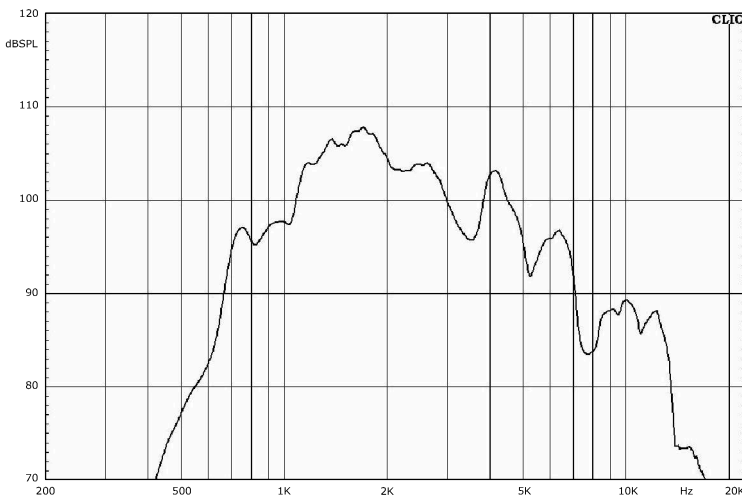


all data in mm  
1:2

### SOUND PRESSURE LEVELS - 1m/1W

sample tested: 8Ω



### SPECIFICATIONS

IMPEDANCE	4-8-16Ω
PHC (Power Handling Capacity)	25W
PEAK Power*	40W
SPL/1m/1w	107,7dB (1700Hz)
FREQUENCY RANGE	750-5700Hz

DIAPHRAGM MATERIAL	PHENOLIC
VOICE COIL DIMENSION	Ø38.63mm
MAGNET MATERIAL	FERRITE
MAGNET SIZE	Ø90x13mm
CASING MATERIAL	ABS
COLOUR	BLACK
NET WEIGHT	880g
DIMENSIONS	106.5x106.5x72.5mm
IP RATING***	IP66

### OPTIONS

CONNECTIONS	wires, eyelets, multiple cable
MAGNET	Ø90x10mm
MATERIAL/COLOUR	other colours on request

### SHIPPING

MASTER CARTON QUANTITY	18 pcs
PACKAGING	BOX 300x210x185mm

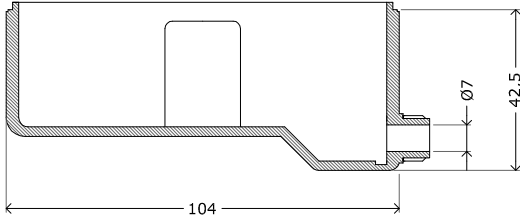
\* usable power only for brief period, do not use this power as operating temperature.  
\*\*\* IP grade is guaranteed only in the fully assembled product with accessories.

sample tested at 23°C.



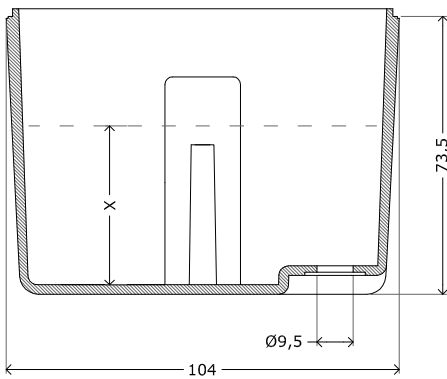
ISO 9001 CERTIFIED

# TE530 accessories



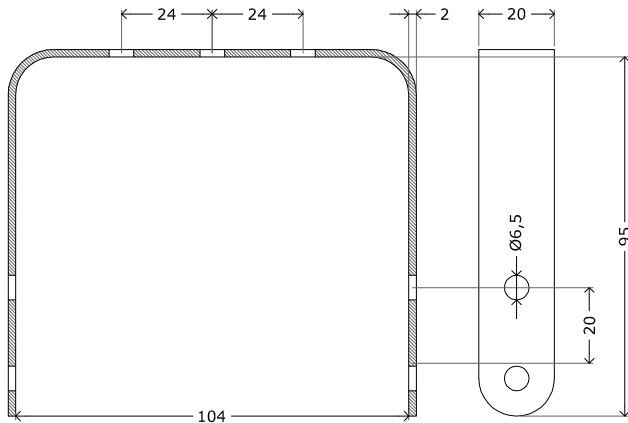
<b>COVER BASSA 520-530</b>	
DIMENSIONS	104x104x42.5mm
USABLE SPACE	-
MATERIAL	ABS
COLOUR*	BLACK
OPTIONS*	-

\*contact us for different configuration available



<b>COVER ALTA 520-530</b>	
DIMENSIONS	104x104x73.5mm
USABLE SPACE	42mm
MATERIAL	ABS
COLOUR*	BLACK
OPTIONS*	-

*the plastic cover limits the dissipation of heat increasing magnet temperature.*



<b>BRACKET 01</b>	
MATERIAL	ZINC IRON
COLOUR	-

all data in mm  
1:2

ORING, SCREWS FOR COVER AND BRACKET AVAILABLE.  
CABLE GLAND NOT INCLUDED FOR COVER ALTA 520-530.