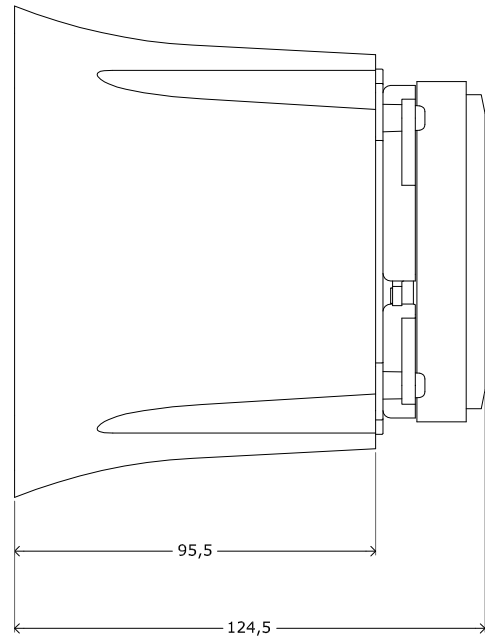
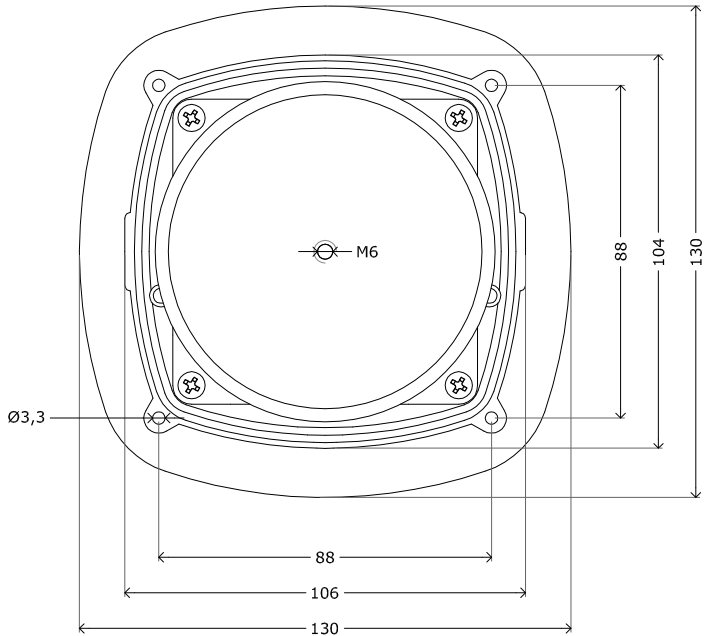




ISO 9001 CERTIFIED

TE520

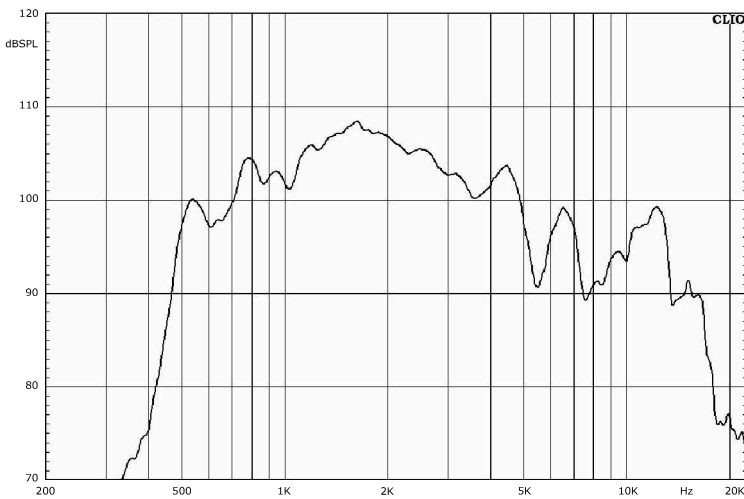
ferrite horn speaker



all data in mm  
1:2

**SOUND PRESSURE LEVELS - 1m/1W**

sample tested: 8Ω



**SPECIFICATIONS**

IMPEDANCE	4-8-16Ω
PHC (Power Handling Capacity)	25W
PEAK Power*	40W
SPL/1m/1w	108dB (1600Hz)
FREQUENCY RANGE	550-5000Hz

DIAPHRAGM MATERIAL	PHENOLIC
VOICE COIL DIMENSION	Ø38.63mm
MAGNET MATERIAL	FERRITE
MAGNET SIZE	Ø90x13mm
CASING MATERIAL	ABS
COLOUR	BLACK-WHITE
NET WEIGHT	1000g
DIMENSIONS	130x130x124.5mm
IP RATING***	IP66

**OPTIONS**

CONNECTIONS	wires, eyelets, multiple cable
MAGNET	Ø90x10mm
MATERIAL/COLOUR	other colours on request

**SHIPPING**

MASTER CARTON QUANTITY	18 pcs
PACKAGING	BOX 405x395x280mm

\* usable power only for brief period, do not use this power as operating temperature.  
\*\*\* IP grade is guaranteed only in the fully assembled product with accessories.

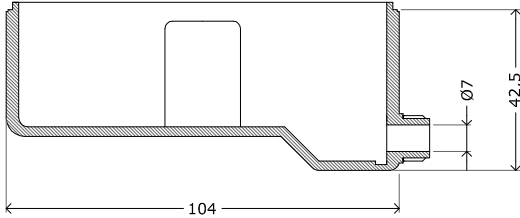
sample tested at 23°C.



ISO 9001 CERTIFIED

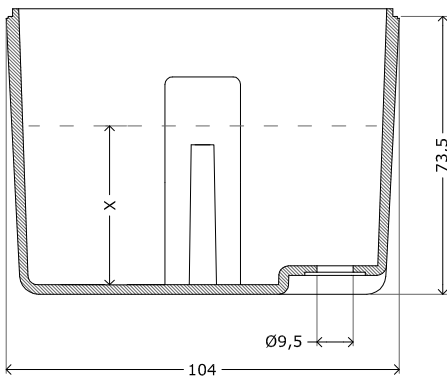
# TE520

## accessories



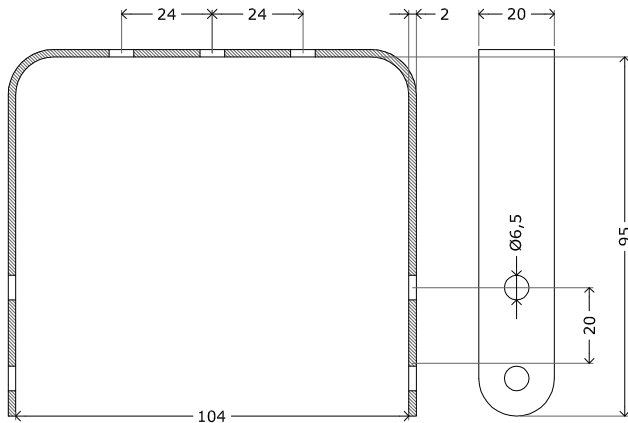
<b>COVER BASSA 520-530</b>	
DIMENSIONS	104x104x42.5mm
USABLE SPACE	-
MATERIAL	ABS
COLOUR*	BLACK-WHITE
OPTIONS*	-

\*contact us for different configuration available



<b>COVER ALTA 520-530</b>	
DIMENSIONS	104x104x73.5mm
USABLE SPACE	42mm
MATERIAL	ABS
COLOUR*	BLACK-WHITE
OPTIONS*	-

*the plastic cover limits the dissipation of heat increasing magnet temperature.*



<b>BRACKET 01</b>	
MATERIAL	ZINC IRON
COLOUR	-

all data in mm  
1:2

ORING, SCREWS FOR COVER AND BRACKET AVAILABLE.  
CABLE GLAND NOT INCLUDED FOR COVER ALTA 520-530.