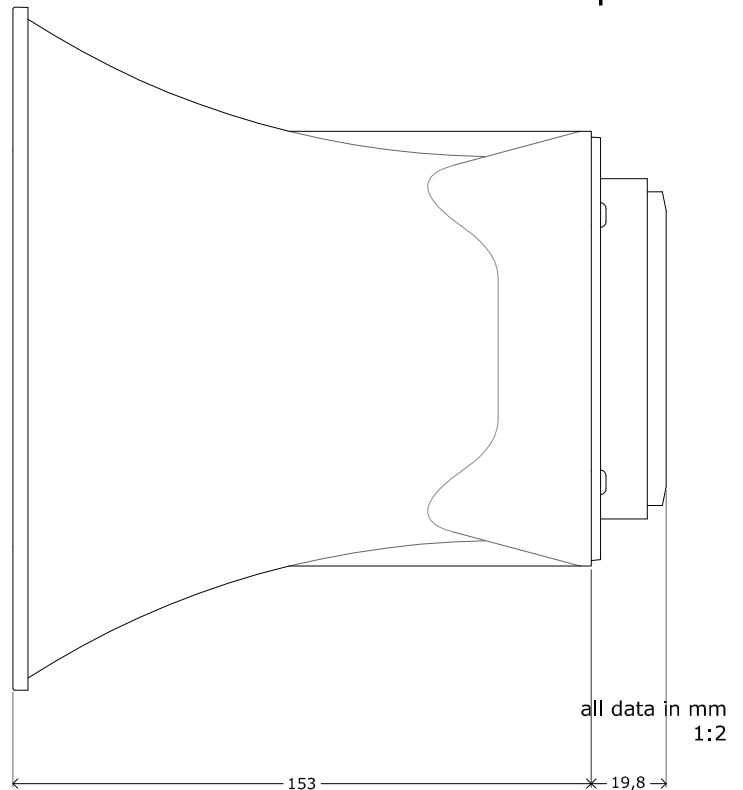
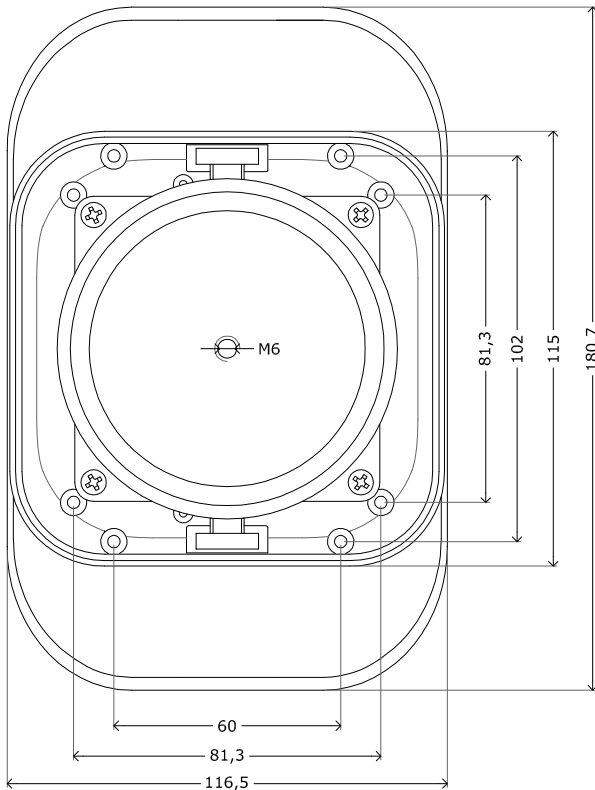




ISO 9001 CERTIFIED

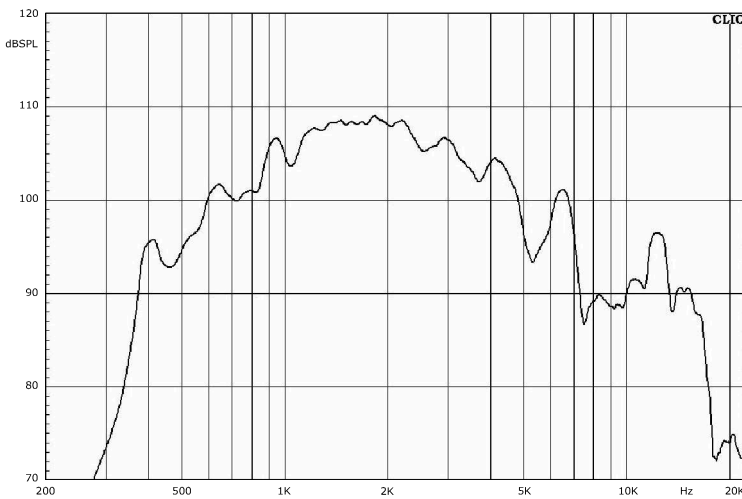
TE510

ferrite horn speaker



SOUND PRESSURE LEVELS - 1m/1W

sample tested: 8Ω



SPECIFICATIONS

IMPEDANCE	4-8-16Ω
PHC (Power Handling Capacity)	25W
PEAK Power*	40W
SPL/1m/1w	109dB (1800Hz)
FREQUENCY RANGE	400-5000Hz

DIAPHRAGM MATERIAL	PHENOLIC
VOICE COIL DIMENSION	Ø38.63mm
MAGNET MATERIAL	FERRITE
MAGNET SIZE	Ø90x13mm
CASING MATERIAL	ABS/ <i>SELF-EXTING.</i> ABS UL94
COLOUR	BLACK/GREY RAL7035
NET WEIGHT	1200g
DIMENSIONS	116.5x180.7x172.8mm
IP RATING***	IP56

OPTIONS

CONNECTIONS	wires, eyelets, multiple cable
MAGNET	Ø90x10mm
MATERIAL/COLOUR	<i>other colours on request</i>

SHIPPING

MASTER CARTON QUANTITY	12 pcs
PACKAGING	BOX 375x375x355mm

* usable power only for brief period, do not use this power as operating temperature.

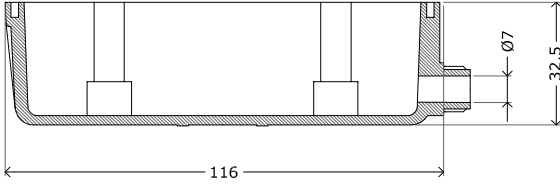
*** IP grade is guaranteed only in the fully assebled product with accessories.

sample tested at 23°C.

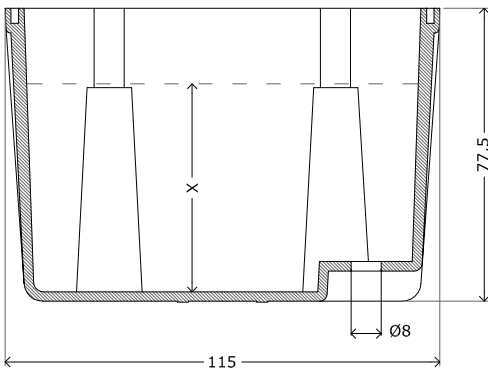


ISO 9001 CERTIFIED

TE510 accessories



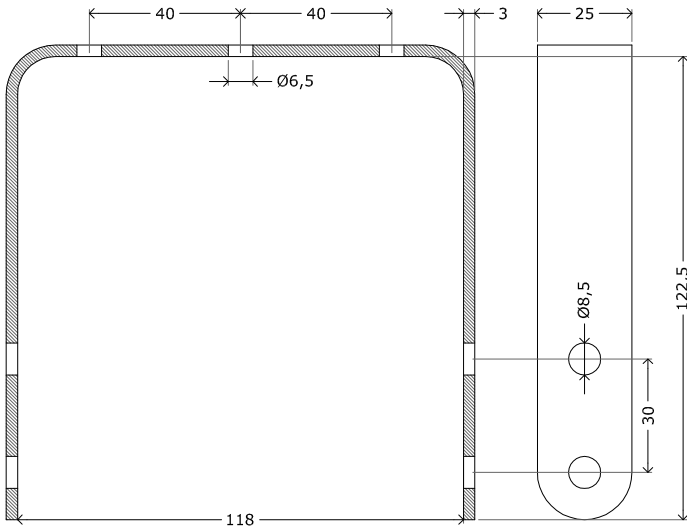
COVER 50	
DIMENSIONS	116x116x32.5mm
USABLE SPACE	-
MATERIAL	ABS/ <i>SELF-EXTING.</i> ABS UL94
COLOUR*	BLACK/GREY RAL7035
OPTIONS	-



COVER 51	
DIMENSIONS	116x116x77.5mm
USABLE SPACE	55mm
MATERIAL	ABS/ <i>SELF-EXTING.</i> ABS UL94
COLOUR*	BLACK/GREY RAL7035
OPTIONS	-

*contact us for different configuration available

the plastic cover limits the dissipation of heat increasing magnet temperature.



BRACKET 07	
MATERIAL	ZINC IRON
COLOUR	-

all data in mm
1:2

ORING, SCREWS FOR COVER AND BRACKET AVAILABLE.
CABLE GLAND NOT INCLUDED FOR COVER 51.