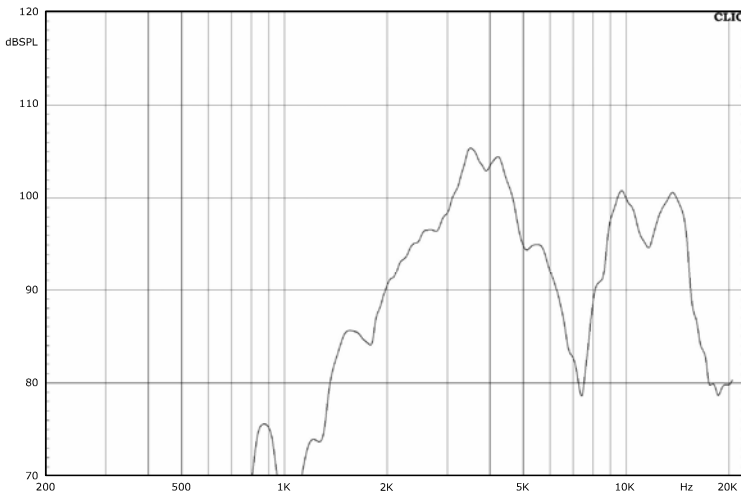


all data in mm
1:2

SOUND PRESSURE LEVELS - 60Vpp/1m



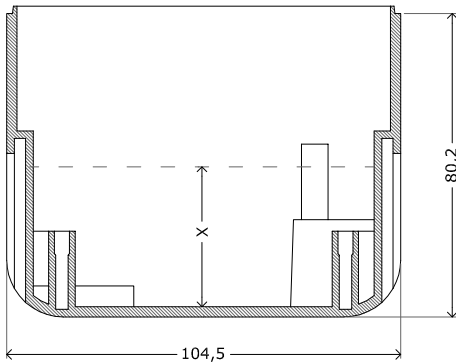
SPECIFICATIONS

PIEZO-CERAMIC IMPEDANCE	500Ω
MAX VOLTAGE	150Vpp
SPL/60Vpp/1m	105dB (3500Hz)
FREQUENCY RANGE	2000-6000Hz
OPERATING TEMP. RANGE*	-20°C +70°C
CASING MATERIAL	ABS
COLOUR	BLACK
NET WEIGHT	75g
DIMENSIONS	80,5x104,5x44,5mm
CONNECTIONS	lugs

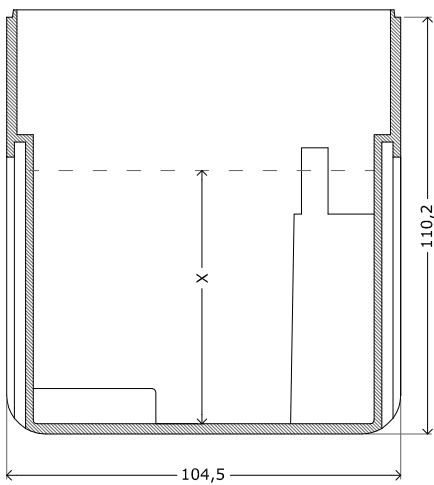
SHIPPING

MASTER CARTON QUANTITY	80 pcs
PACKAGING	BOX 380x380x215 mm

*temperature range is dependent on the working condition of the piezoelectric ceramic.
sample tested at 23°C.

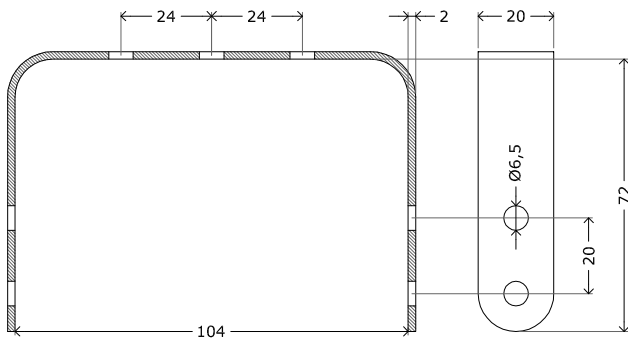


COVER 21	
DIMENSIONS	104,5x80,5x80,2mm
USABLE SPACE	36 mm
MATERIAL	ABS
COLOUR	BLACK
OPTIONS*	-

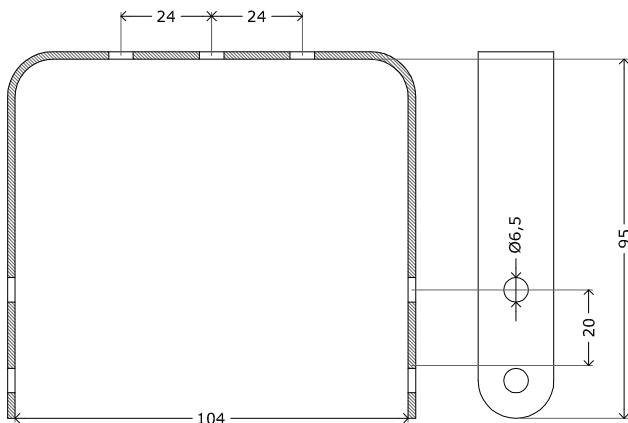


COVER 22	
DIMENSIONS	104,5x80,5x110,2mm
USABLE SPACE	66 mm
MATERIAL	ABS
COLOUR	BLACK
OPTIONS*	-

*contact us for different configuration available



BRACKET 03	
MATERIAL	ZINC IRON
COLOUR	-



BRACKET 01	
MATERIAL	ZINC IRON
COLOUR	-

SCREWS FOR COVER AND BRACKET AVAILABLE

all data in mm
1:2