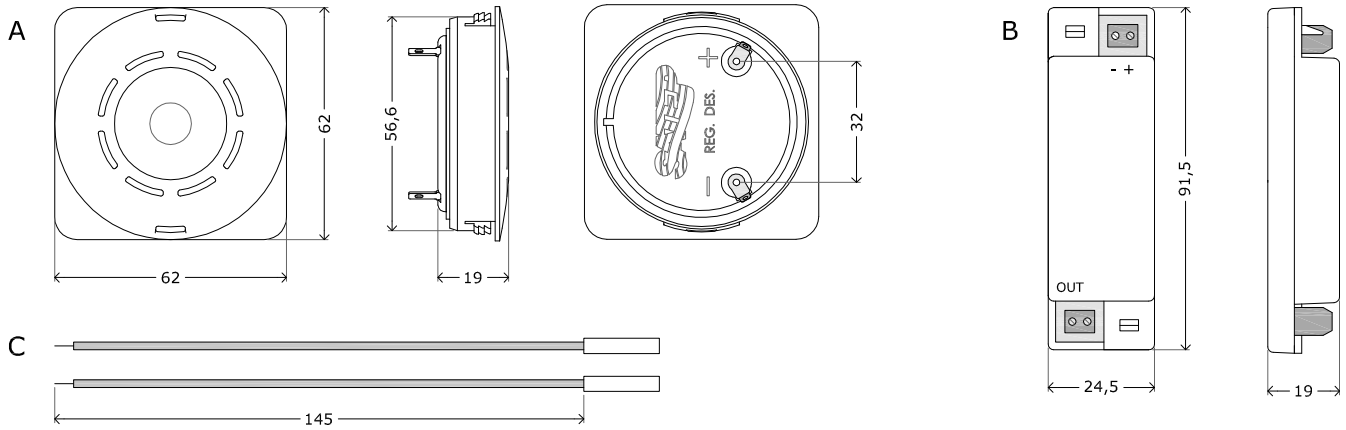




ISO 9001 CERTIFIED

MARY Q

piezoelectric internal siren



all data in mm
1:2

- A - piezoelectric speaker MARY
- B - case with electronic board MARY
- C - cables with faston terminals for connection A-B

Protection against reverse polarity.
the product conforms to EC directives
the declaration of conformity is available on our website.

SPECIFICATIONS	
POWER SUPPLY	8-15Vdc
MAX ABSORPTION	40 mA
dB(A)/12,5V/1m	105 dB(A)
OPERATING TEMP. RANGE	+5 +40°C
CASING MATERIAL	ABS
COLOUR	WHITE
NET WEIGHT	56g
SPEAKER DIMENSIONS	62x62x19 mm
CASE DIMENSIONS	28,5x91,5x19 mm
MOUNTING HOLE DIMENSION	Ø57±0,5 mm (2¼ in)
IP RATING	IP40
OPTIONS	
	ROUND VERSION (MARY T)
SHIPPING	
MASTER CARTON QUANTITY	38 pcs
PACKAGING	BOX 330x230x250 mm