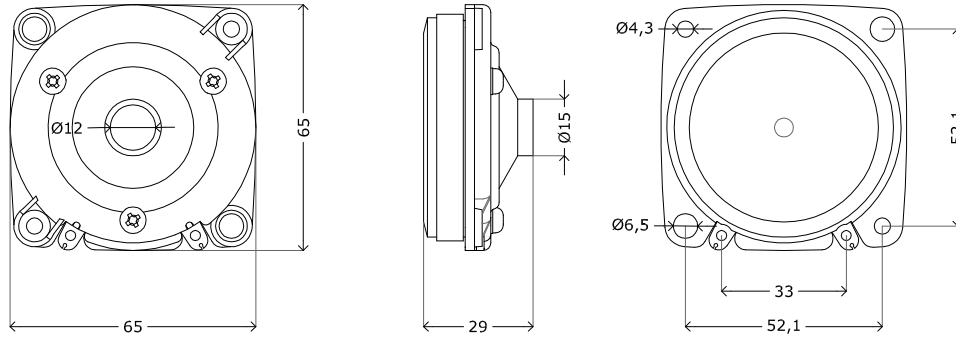




ISO 9001 CERTIFIED

TRM23B

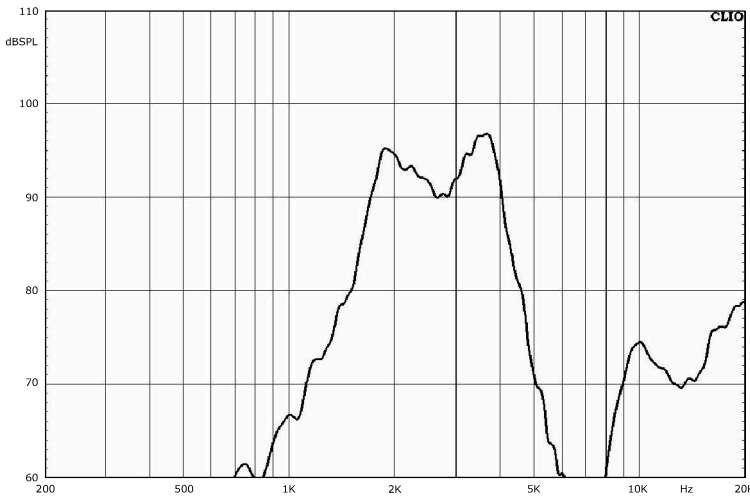
ferrite driver



all data in mm
1:2

SOUND PRESSURE LEVELS - 1m/1W

sample tested: 8Ω



SPECIFICATIONS

THROAT DIMENSION	Ø12mm
IMPEDANCE	4-8-16Ω
PHC (Power Handling Capacity)	8W
PEAK Power*	12W
RESONANCE FREQUENCY	1910Hz

DIAPHRAGM MATERIAL	PHENOLIC
VOICE COIL DIMENSION	Ø25.4mm
MAGNET MATERIAL	FERRITE
MAGNET SIZE	Ø60x7mm
CASING MATERIAL	PC
NET WEIGHT	250g
DIMENSIONS	65x65x29mm
IP RATING	-

OPTIONS

CONNECTIONS	wires, eyelets, lugs
MAGNET	-
MATERIAL/COLOUR	-

SHIPPING

MASTER CARTON QUANTITY	60 pcs
PACKAGING	BOX 380x280x155mm

* usable power only for brief period, do not use this power as operating temperature.

sample tested at 23°C.