



ISO 9001 CERTIFIED

SATEP S.r.l. Viale delle Industrie, 38 - 20881 Bernareggio (MB) - Italy

Tel. + 39 039 627661 - Fax + 39 039 627666

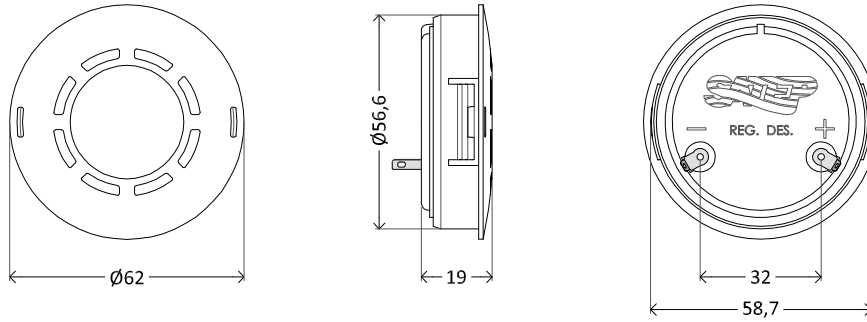
Mail: satep@satep.com - Web Site: www.satep.com

Scheda Tecnica - Datasheet

# PZ20

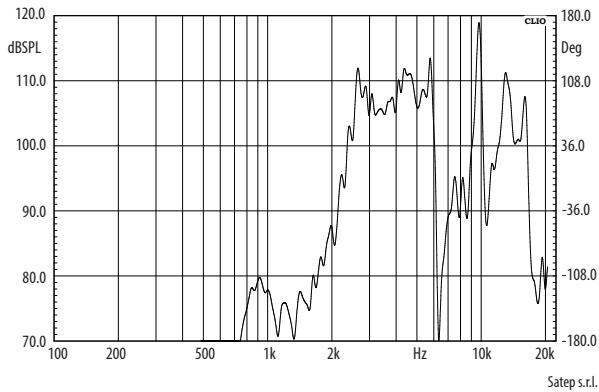
## DIFFUSORE PIEZOELETTRICO / PIEZOELECTRIC LOUDSPEAKER

Dimensions (all data are in mm)



### Livello Sonoro - Sound Pressure Levels at 1W/1m

### Caratteristiche - Specifications



IMPEDANCE	520 Ω
SPL/60Vpp/1m (2400Hz)	109 dB
FREQUENCY RANGE	2000 - 6700 Hz
MAX VOLTAGE	60Vpp
COVERAGE ANGLE	90°
COLOUR	White
MATERIAL	ABS
NET WEIGHT	20g

### Spedizione - Shipping

### Applicazioni - Applications

- **Packaging:** Box 305x305xh.170mm
- **Master carton quantity:** 80 Pieces

- **Security alarm:** flush mounting speaker