



ISO 9001 CERTIFIED

SATEP S.r.l. Viale delle Industrie, 38 - 20881 Bernareggio (MB) - Italy

Tel. + 39 039 627661 - Fax + 39 039 627666

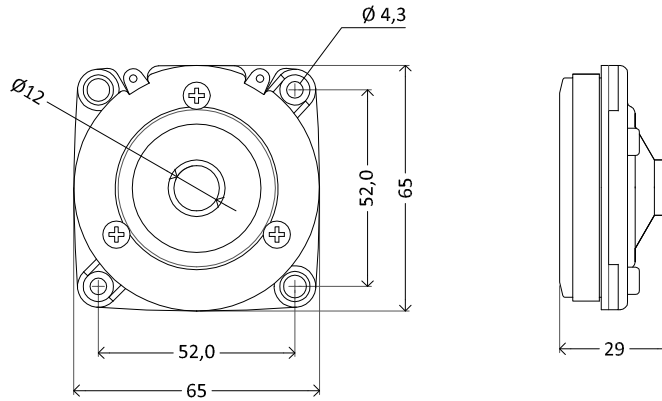
Mail: satep@satep.com - Web Site: www.satep.com

Scheda Tecnica - Datasheet

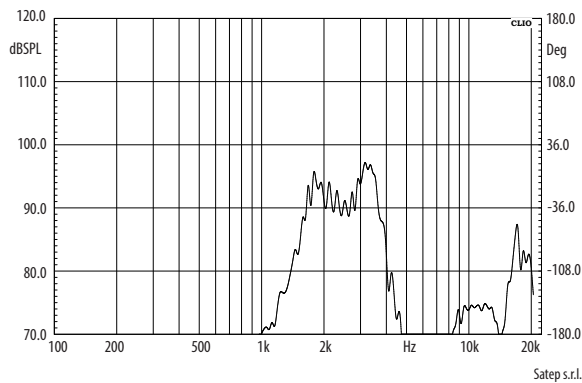
TRM23B

TRASDUTTORE IN FERRITE / FERRITE DRIVER

Dimensions (all data are in mm)



Livello Sonoro - Sound Pressure Levels at 1W/1m



Caratteristiche - Specifications

IMPEDANCE (options)	4 - 8 - 16 Ω
NOMINAL POWER	8W
PEAK POWER	12W
FERRITE MAGNET mm	\varnothing 60 - h7
FREQUENCY RANGE	2000Hz
NET WEIGHT	250g

Spedizione - Shipping

- **Packaging:** Box 380x280xh.155mm
- **Master carton quantity:** 60 Pieces